

Installation & Operations Manual

John Deere Gator HPX Storage Box

John Deere Gator is a registered trademark of John Deere and has no affiliation with Seizmik Products, Kartaccessories.com, or Vialink Corp.

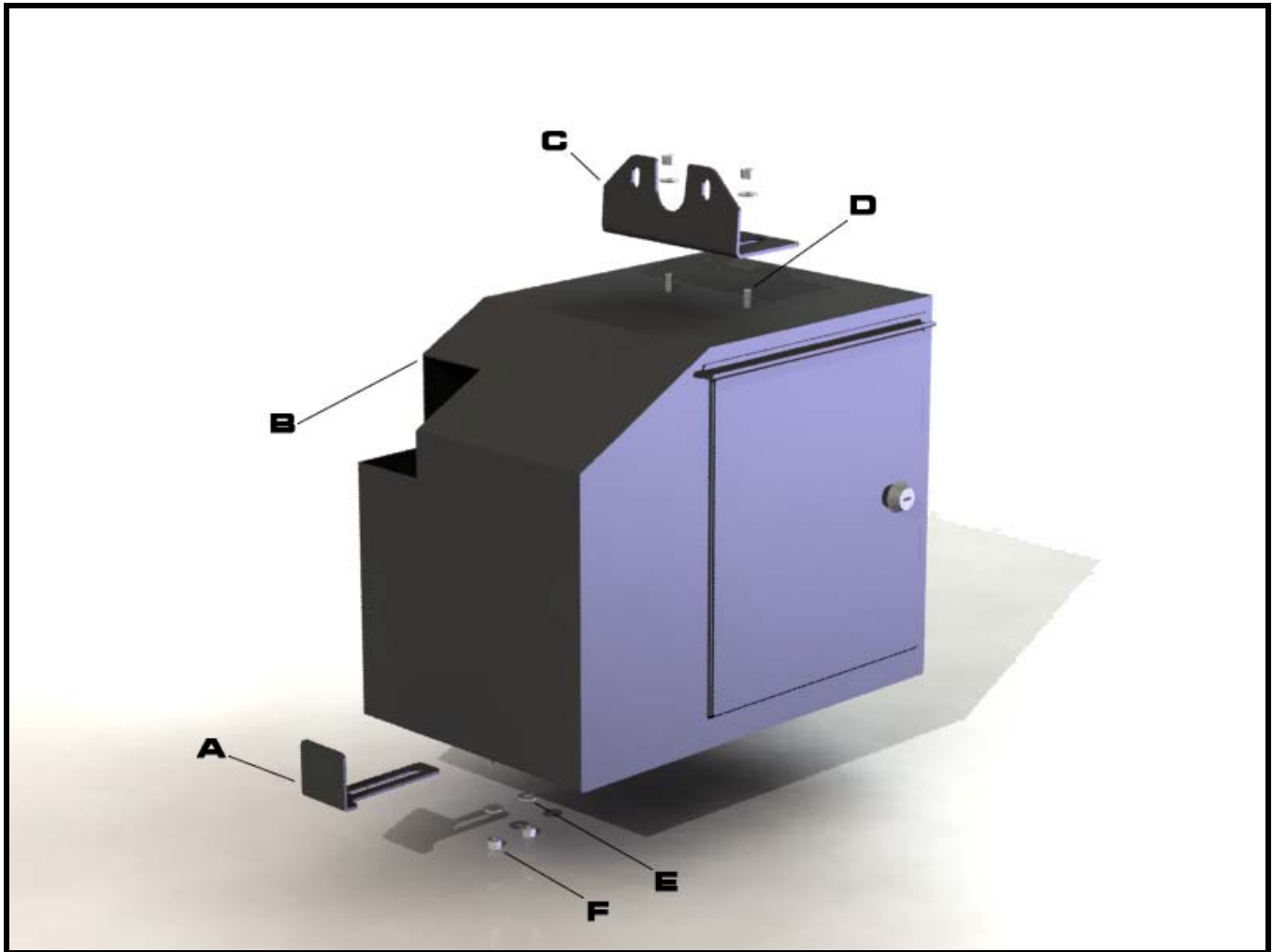


Seizmik makes Storage Boxes, Hood Racks, Brush Guards, and other great accessories for utility vehicles. Our center consoles are engineered tough for long life and tested under the harshest of conditions. Always observe the warnings and precautions in this manual when using your Seizmik products. For best results, carefully follow the instructions in this manual and make no modifications.

Seizmik products are designed, developed, and manufactured by Vialink Corp. If you have any questions, comments, need assistance, or are missing parts, please call 1-866-888-3366 xt.110 between 9:00AM and 5:00PM EST. Or email us at info@kartaccessories.com.

Seizmik Storage Box Kit Contents:

- | | |
|--|---|
| A. Lower mounting bracket (1) | E. ¼ Flat Washer (12) |
| B. Storage Box (Drivers box shown) (1) | F. ¼-20 Nylon lock nut (6) |
| C. Upper mounting bracket (1) | G. ¼-20 x 1.0 in Hex bolt (2) (not shown) |
| D. ¼ – 20 x 0.75 in Hex bolt (4) | H. Lock Keys (2) (not shown) |



Note: All hardware and brackets may not be shown in this view

Recommended tools:

- Mechanics socket set

Installation Instructions:

1. **Install Lower Mounting Bracket** – Turn the Storage Box upside-down and place it on a towel or other non-scratching surface to protect the finish. Align the Lower Mounting Bracket (A) with the holes in the base of the storage box and install two ¼-20 x 0.75 inch bolts (D), washers (E), & lock nuts (F). Do not tighten yet.



Figure 1.

2. **Install the Upper Mounting Bracket** – Position the Upper Mounting Bracket (C) as shown in Figure 2. Install using two ¼-20 x 1.0 inch hex bolts (G), ¼ flat washers (E), and ¼ lock nuts (F). Slide the bracket up as high as it will go and tighten hardware securely.

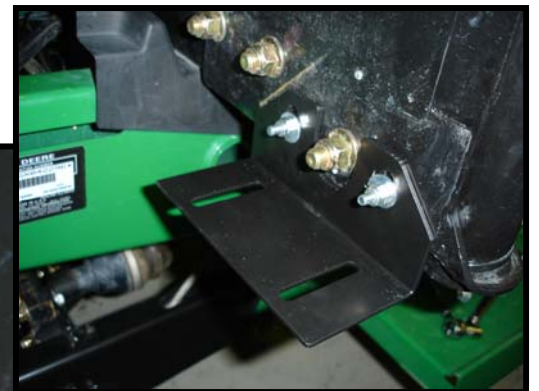
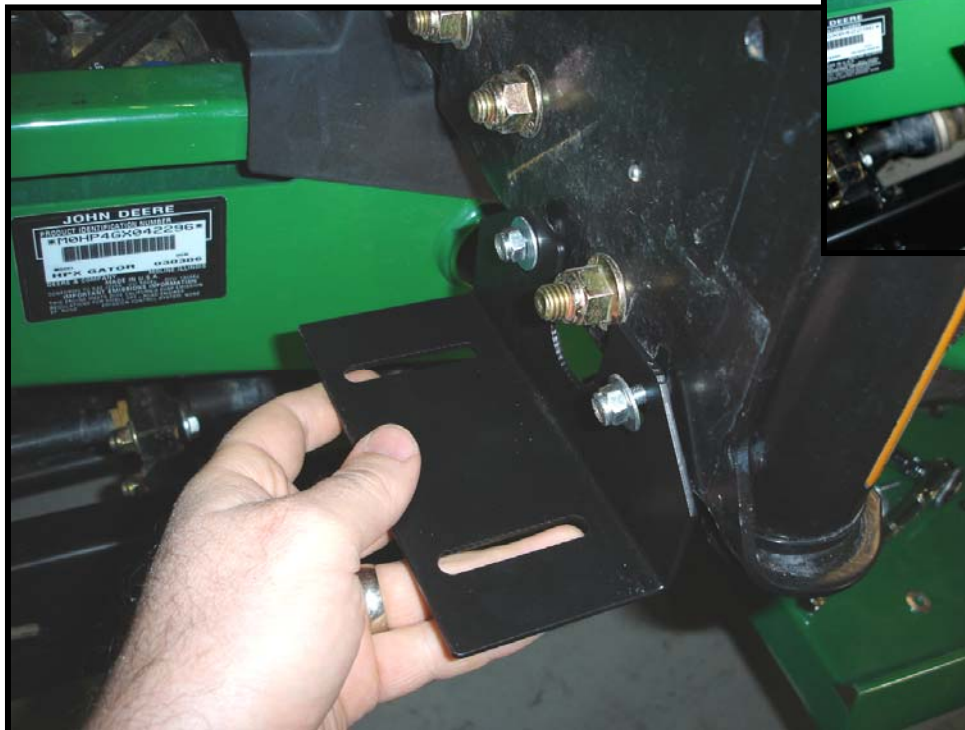


Figure 2.

3. **Install the Storage Box** – Get a friend to help you hold the Storage Box in place and align the holes in the top with the slots in the Upper Mounting Bracket (C). Supporting the Box from the bottom, slide it as far forward that it will go and install it using two ¼-20 x 0.75 inch bolts (D), washers (E), & lock nuts (F). Tighten securely.

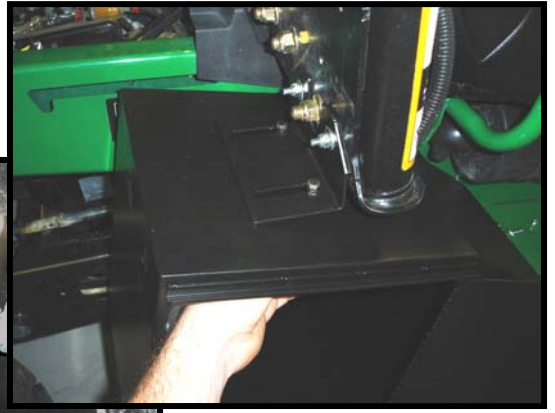


Figure 3.

4. **Secure the Storage Box** – Holding the Storage Box forward against the foot rest, slide the Lower Mounting Bracket (A) back so it clamps on the underside of the foot rest and tighten hardware securely.

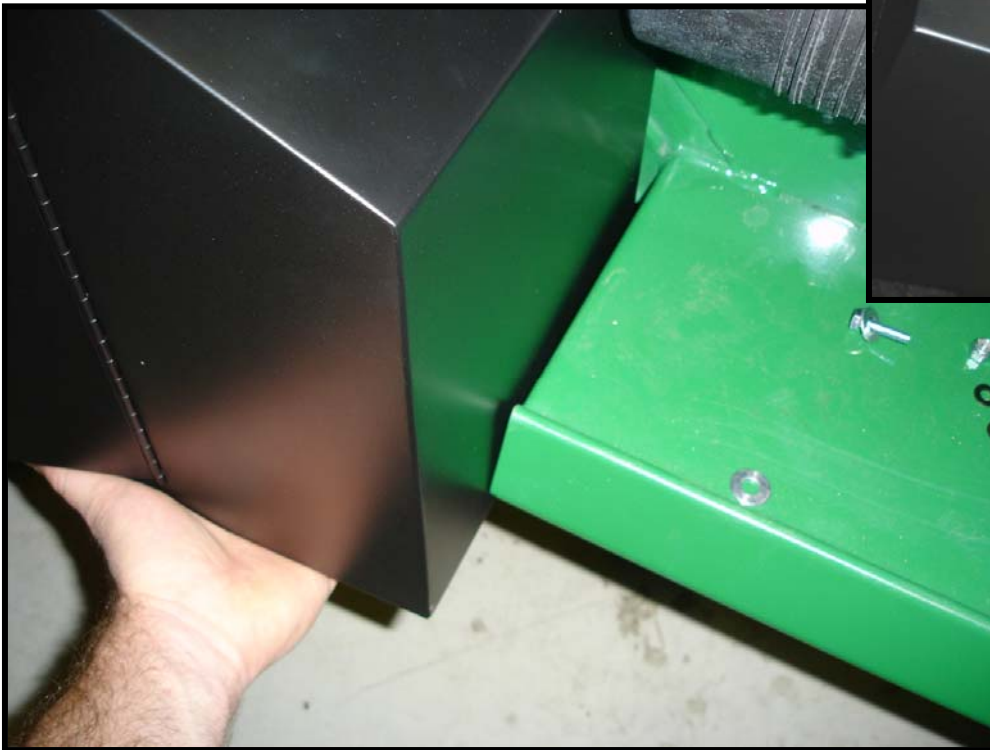


Figure 4.



5. **Congratulations** – You're finished!! Enjoy your Seizmik Storage Boxes and don't forget about other great Seizmik accessories for your Gator! Visit www.kartaccessories.com to order the full line of Gator accessories.



Safety Information: Please follow all warnings and precautions for safe operation.

- NEVER EXCEED THE WEIGHT CAPACITY (APPROXIMATELY 30 LBS) OF THE SIDE STORAGE BOX.
- ALWAYS follow all precautions and warnings from the manufacturer of your vehicle

Seizmik products are designed, developed, and manufactured by Vialink Corp. If you have any questions, comments, need assistance, or are missing parts, please call 1-866-888-3366 xt.110 between 9:00AM and 5:00PM EST. Or email us at info@kartaccessories.com.