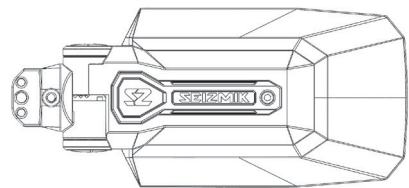


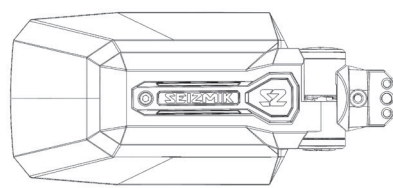
TRAILRIDER MIRROR - 56-90093KIT
INSTALLATION MANUAL

PARTS LIST

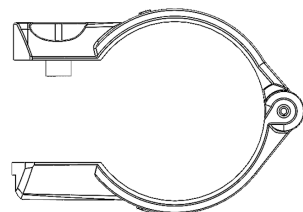
Driver side Mirror



Passenger side Mirror



1.75" Clamp assembly (2)



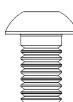
M8 x 16mm
socket head bolts (2)



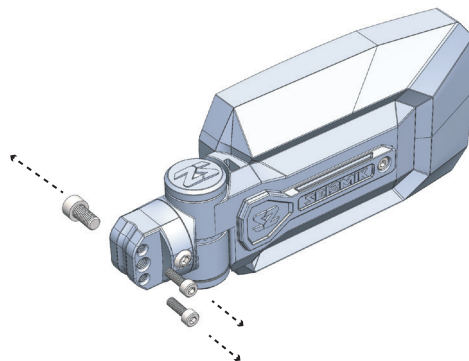
M6 x 25mm
socket head bolts (4)



M6 x 12mm
button head bolts (4)

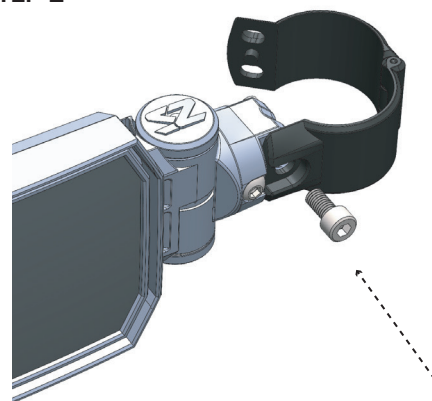


STEP 1



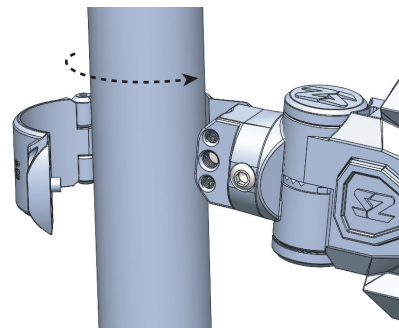
Disassemble 3 bolts by unscrewing.

STEP 2



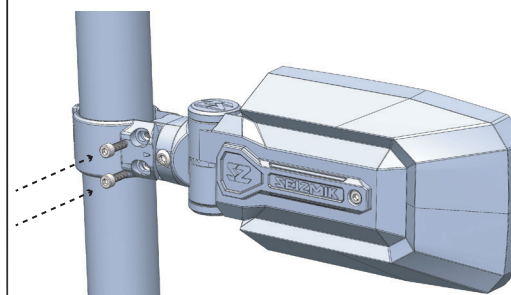
Assemble clamp using M8 x 16mm bolt.
DO NOT TIGHTEN IT ALL THE WAY YET.

STEP 3



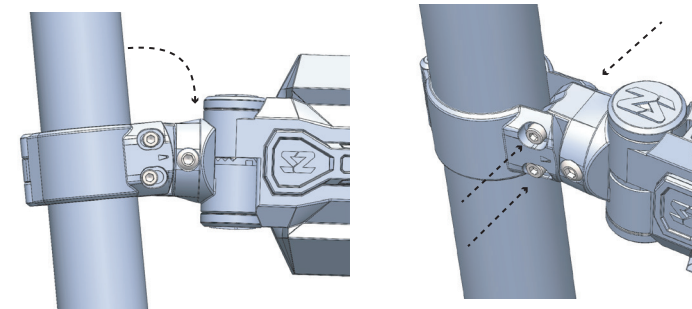
Open clamp and place around roll cage tube. Close clamp around roll cage tube.

STEP 4



Complete the clamp assembly by installing 2 M6 x 25mm bolts.
DO NOT TIGHTEN THEM ALL THE WAY YET.

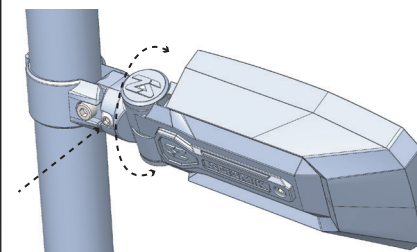
STEP 5



Rotate mirror on clamp so that it is level and provides desired viewing angle.

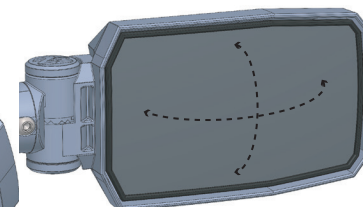
Tighten all 3 bolts to secure the clamp on the roll cage once adjustment is complete.

STEP 6



Loosen M6 x 12mm bolts to rotate mirror housing for desired angle. Re-tighten bolts once adjustment is complete.

STEP 7



Adjust mirror tray by pushing edges of the tray for final adjustment.