

58-20913KIT - Bed Rack
58-20912 - Rack Sides
CFMOTO U10 PRO / HIGHLAND

SEIZMIK®

HIGHLIFTER

SEIZMIK™



 service@seizmik.com

 1-866-838-3366
between 9:00 AM and 5:00 PM EST.



www.seizmik.com/customer-support

Parts Available For These Popular Brands and Others

POLARIS

can-am



HONDA

Kawasaki

 **YAMAHA**

PRODUCT INFORMATION

Seizmik®, the leader in manufacturing Windshields, Mirrors, Door Kits, Racks, and other great accessories for UTVs, brings you the innovative, new Seizmik® Bed Rack for the CFMoto U10 Pro / Highland.

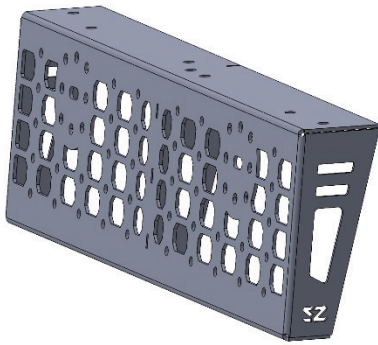
Familiarize yourself with all the steps before beginning assembly.

If you have any questions, comments, need assistance, or are missing parts, please visit our website <http://seizmik.com/customer-support> Or email us at service@seizmik.com. Visit www.seizmik.com for more information on our product or call 1-866-838-3366 between 9:00AM and 5:00PM EST.

INCLUDED INSIDE THE BOX:

Item	Part No.	Item Description	QTY
1	58-20912-L-B	Left Side (Driver)	1
2	58-20912-R-B	Right Side (Passenger)	1
3	67-12441	Bed Anchors	6

(58-08077 Basket is packaged separately)



1



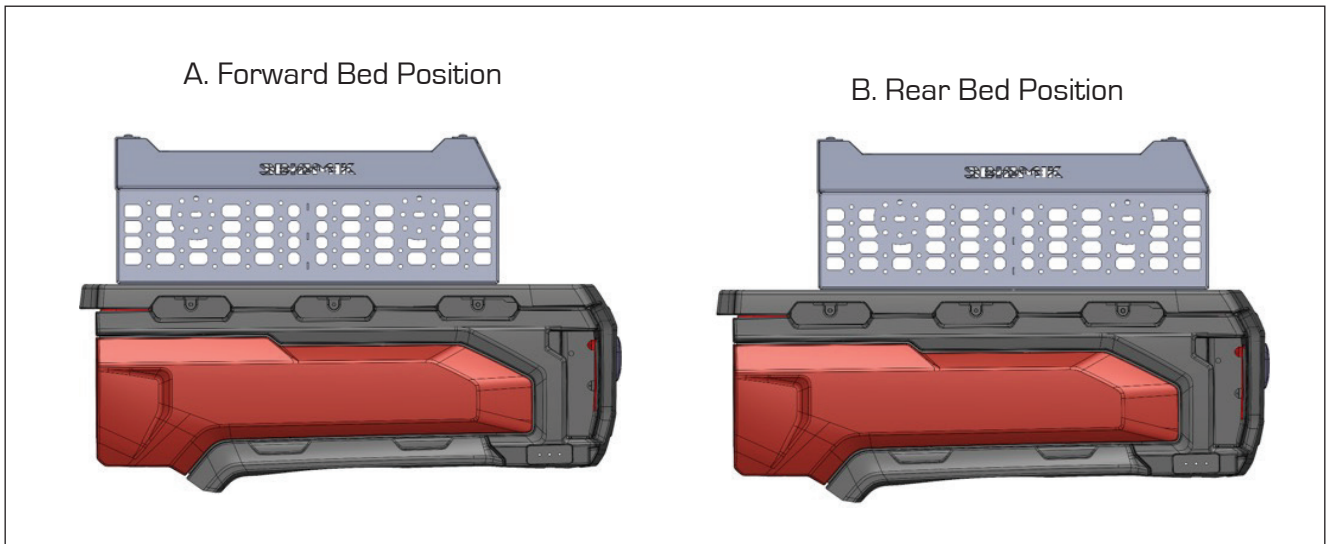
2



3

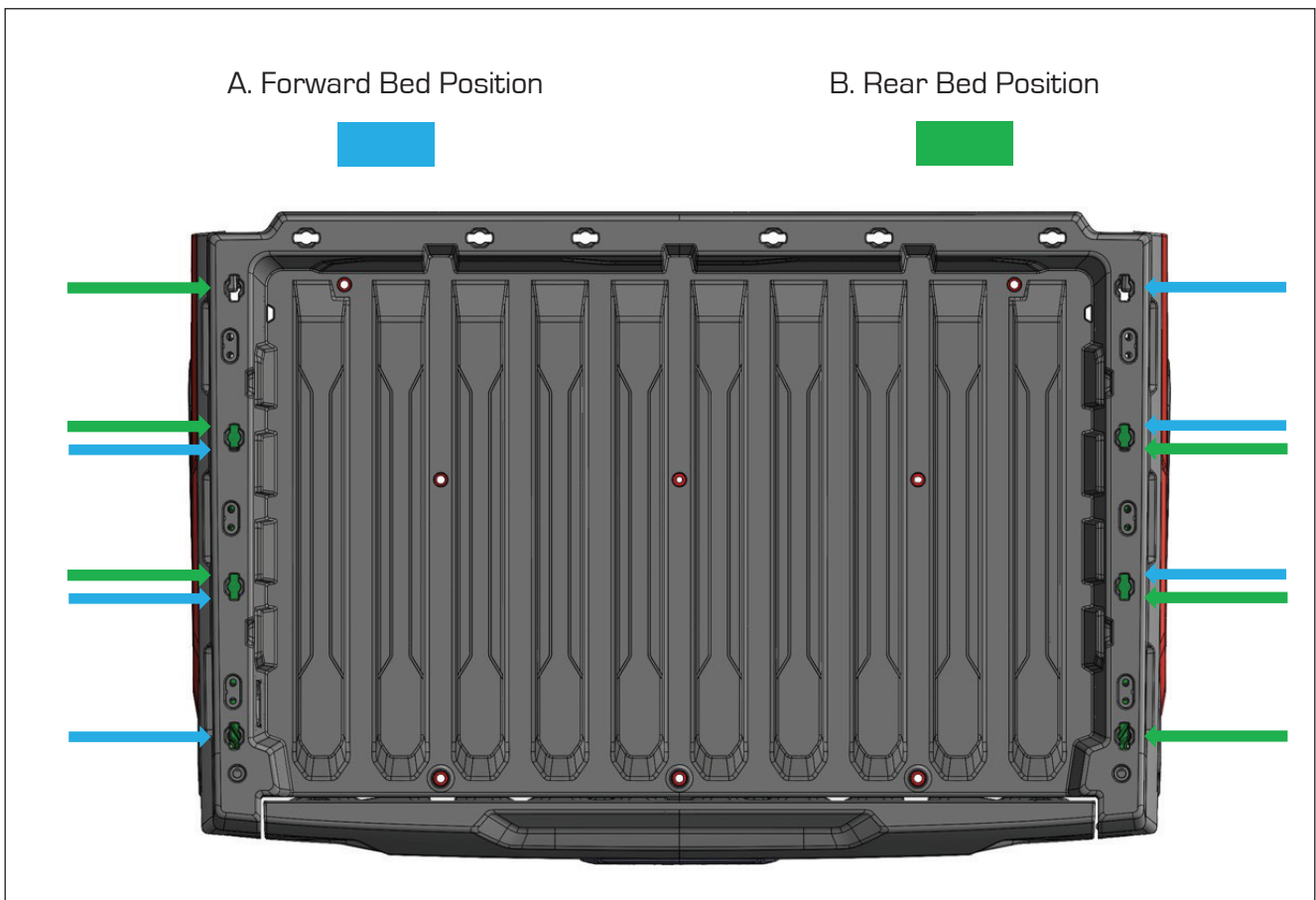
DETERMINE RACK PLACEMENT

STEP 1: Determine the rack mounting position. Depending on accessory configuration and desired bed space, the rack may be installed in either:



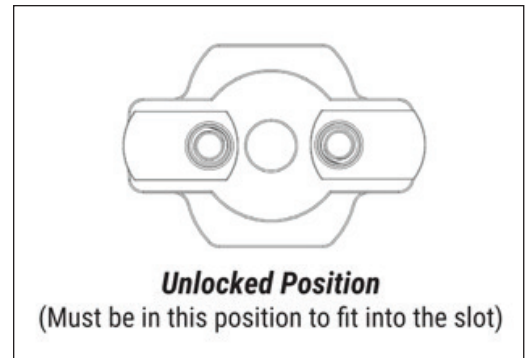
BED ANCHOR PLACEMENT

STEP 2 : Locate the correlating mounting locations for the bed anchor based on where the bed rack is going to be installed.

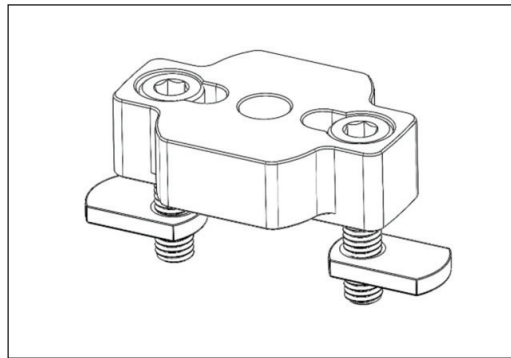
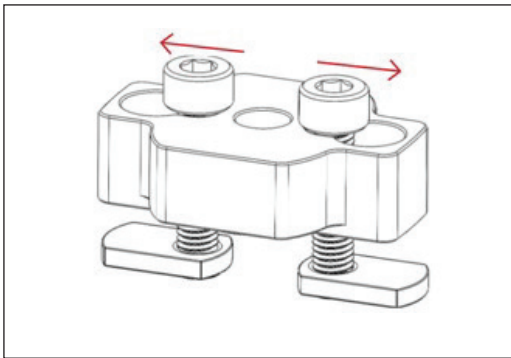


BED ANCHOR INSTALLATION

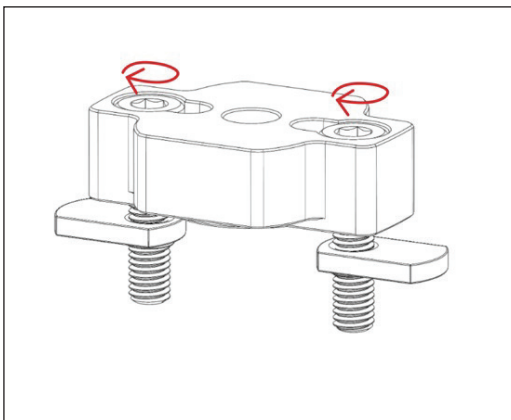
STEP 3: Turn the flat weld nuts so that they're aligned to fit within the profile.



STEP 4: Once inserted into the slot in the bed, slide the screws to the outer position, into the counter bore as shown below.



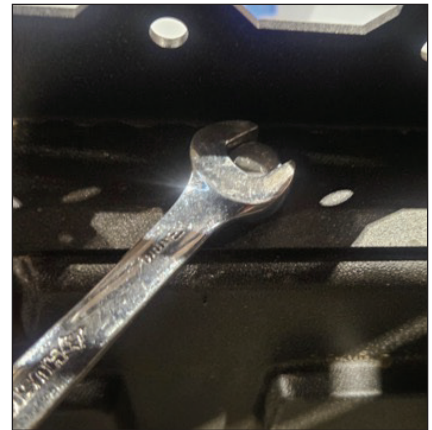
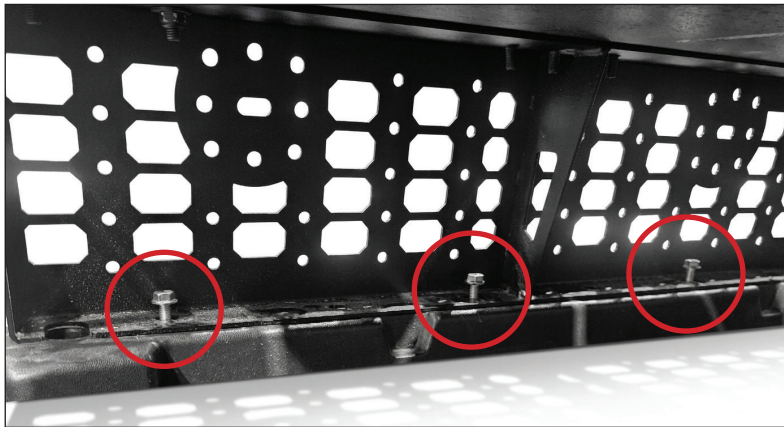
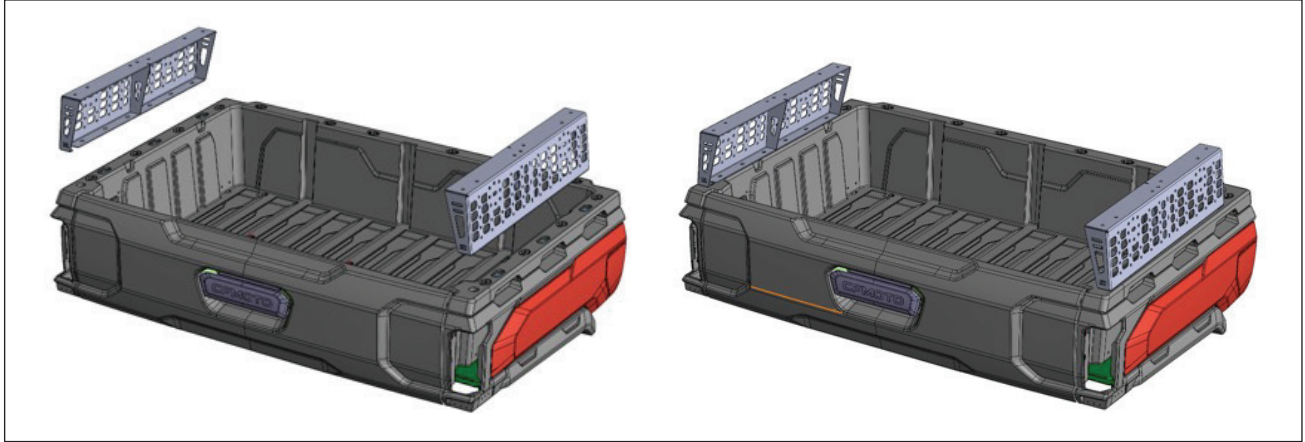
STEP 5: Use a 4mm Allen key to tighten both screws to secure the bed anchor as shown.



STEP 6: In order to remove the anchor, reverse steps 1 through 3.

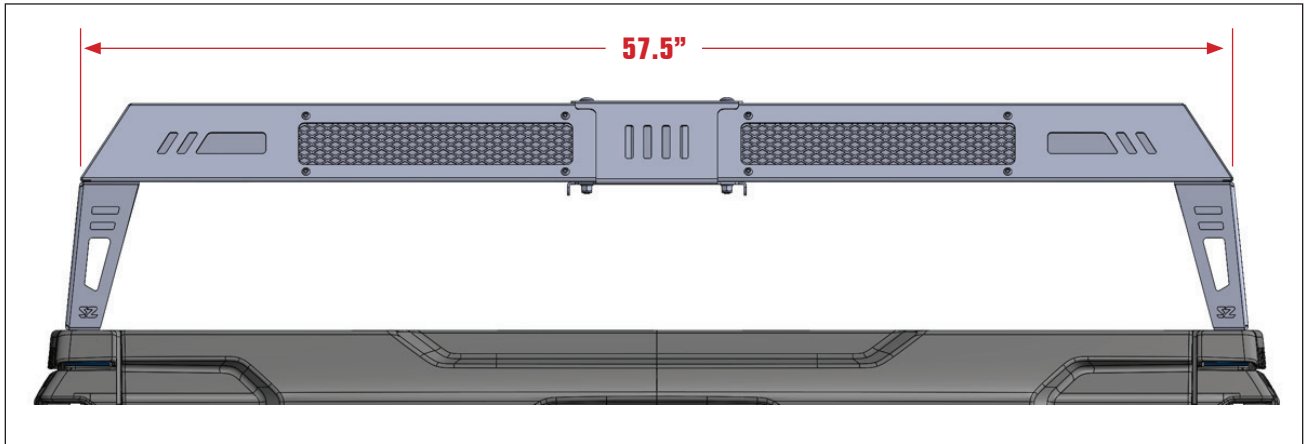
BED RACK SIDE PANEL INSTALLATION

STEP 7: Align the sides with the bed anchors that were installed. One side at a time, install the sides by securing to the bed anchors with the bolts provided with the bed anchors. Use a 13mm wrench to tighten bolts.



BASKET INSTALLATION

STEP 8: Refer to the basket installation instructions included in the 58-08077 box. For easiest assembly of the basket to the sides, ensure the basket is square and 57½" side to side.



INSTALLATION COMPLETE