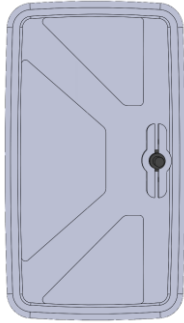


Contents:

Mirror with universal joint attachment



1.5" Roll Cage Clamp



Washer (2)



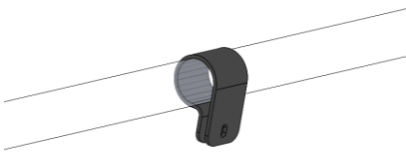
Lock Washer (2)



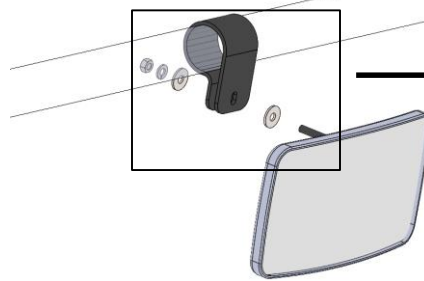
Nylon Locknut

Installation:

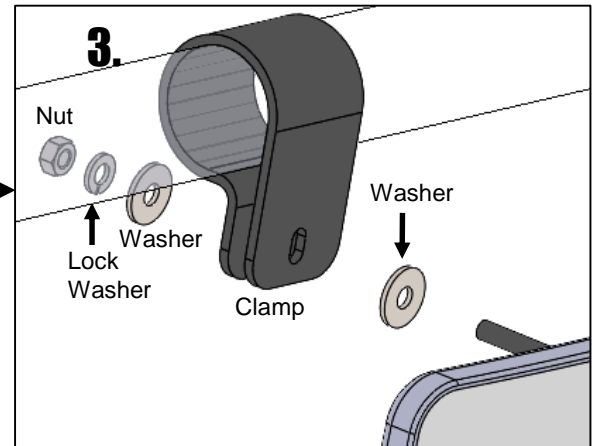
1.



2.

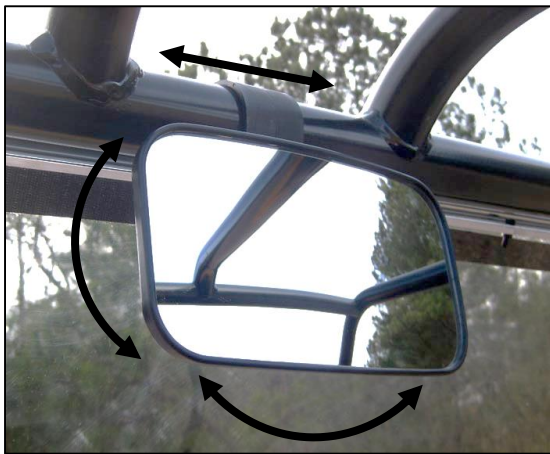


3.



Open the clamp with two hands and snap around roll cage. Be careful when releasing the clamp to avoid pinching fingers. The flange should face toward viewer.

Loosely attach Mirror with hardware shown above. The washers should go on either side of the plastic clamp. The lock washer goes between the washer and nut. You will tighten completely after adjustments.



Adjust the mirror along the roll cage and angle as needed. Fully tighten locknut.



Seizmik makes Windshields, Doors, LED Light Bars, Hood Racks, and other great accessories for utility vehicles & side x sides. Our products are engineered tough for long life and tested under the harshest of conditions.

Seizmik products are designed, developed and manufactured by Vialink Corp. If you have any questions, comments, need assistance, or are missing parts, please call 1-866-838-3366 between 9:00AM and 5:00PM EST. You can email us at support@seizmik.com.