

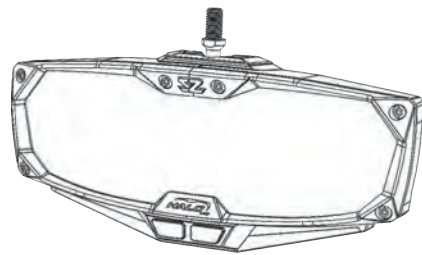
18002 INSTALLATION MANUAL

PARTS LIST

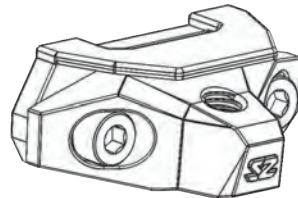
A - Mirror Assembly

B - RZR PRO XP Clamp

A - Mirror Assembly

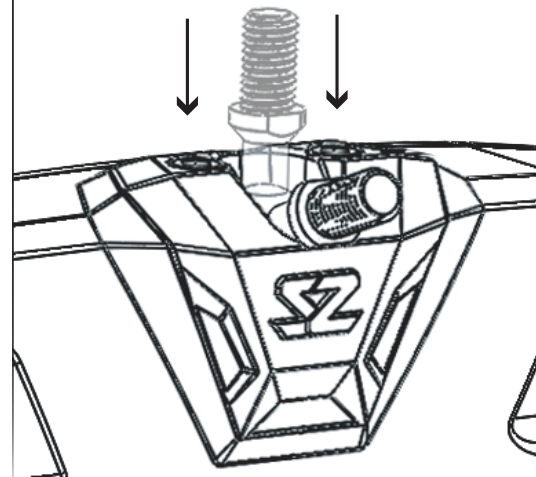


B - RZR PRO XP Clamp



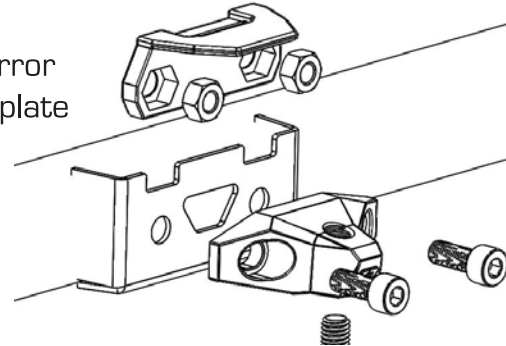
STEP 1

Use these bolts to adjust tension on the ball joint. Clockwise turn will increase tension, counter-clockwise will decrease tension.



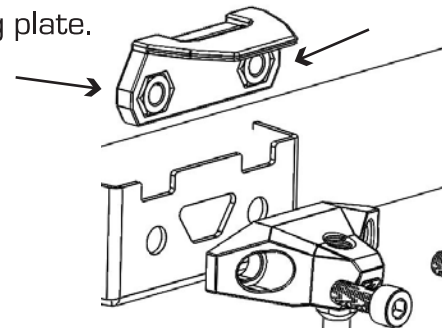
STEP 2

Locate mirror mounting plate on ROPS.



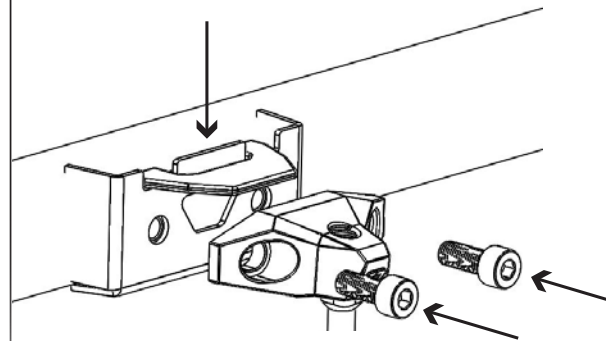
STEP 3

Insert M8 nuts into the backing plate.



STEP 4

Place the backing plate between the ROPS and the mounting plate as shown. Install M8 socket head bolts and torque to 10ft-lbs



STEP 5

Tighten mirror mounting bolt and adjust mirror tension using the 2 M6 bolts located on top of the rear aluminum badge.

Mirror tensioning bolts

