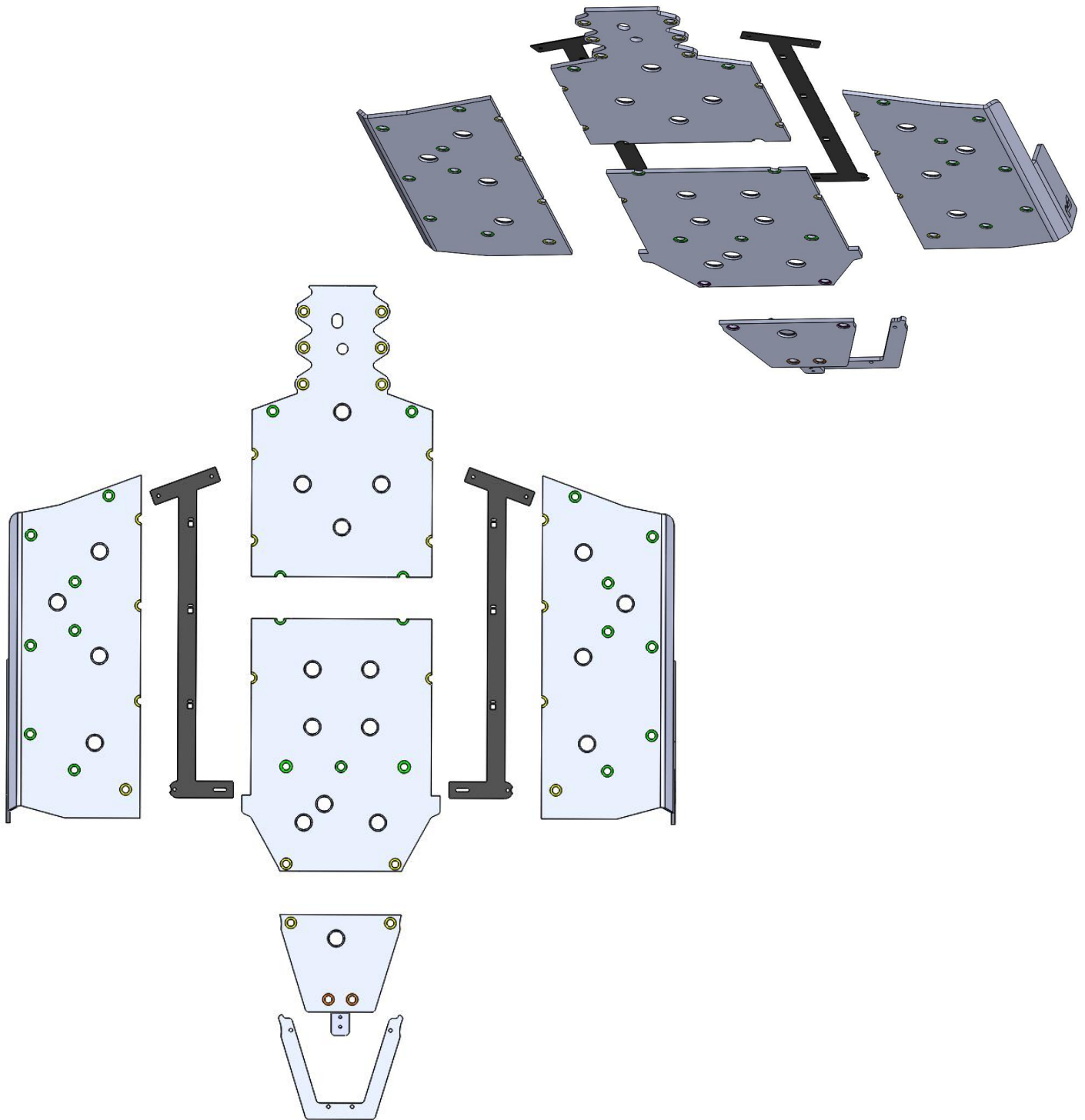


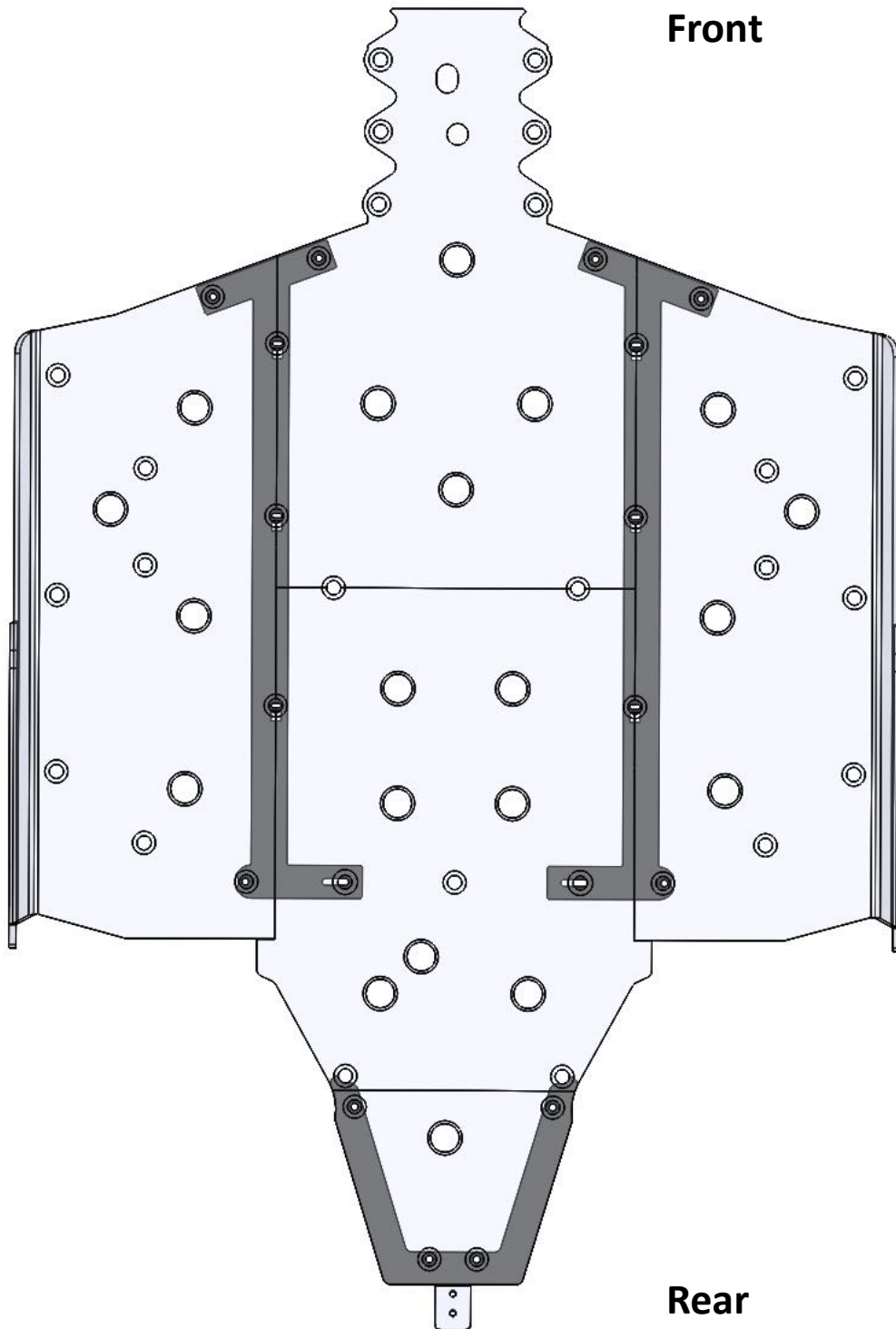
**RANGER XP 1000 2 Seat Seizmik
Skid Plate Manual
Part # 76-10163**



Always observe the warnings and precautions in this manual when using your Seizmik products. For best results, carefully follow the instructions in this manual and make no modifications.

If you have any questions, comments, need assistance, or are missing parts, please call 1-866-838-3366 between 9:00AM and 5:00PM EST. You can email us at support@seizmik.com

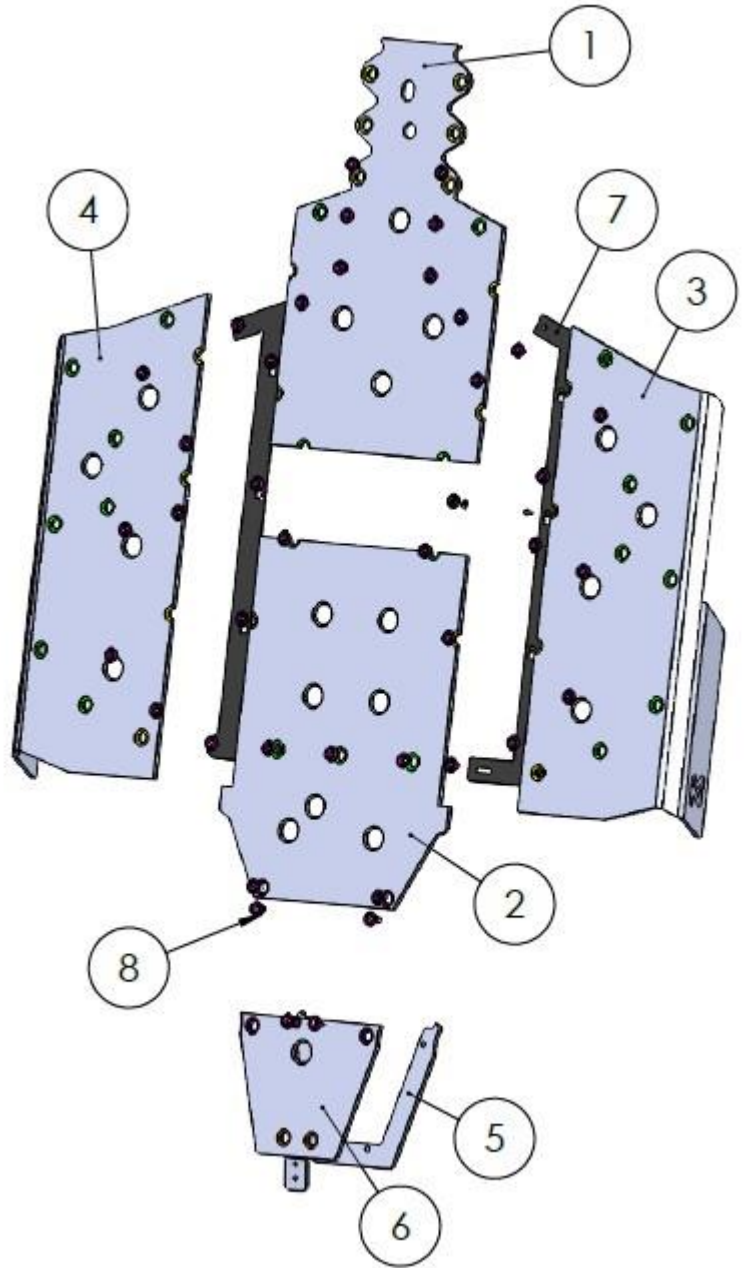
View looking up at the underside of the vehicle



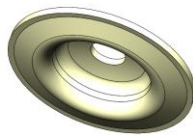
Parts List



ITEM NO.	DESCRIPTION	PART #	QTY.
1	SP_SK09_P1_02 Front Panel	76-10192	1
2	SP_SK09_P2_02 Middle Panel	76-10193	1
3	SP_SK20_P3_02 Driv Side Panel	76-10194	1
4	SP_SK20_P4_02 Pass Side Panel	76-10195	1
5	SP_SK09_P5_02 Spacer	76-10196	1
6	SP_SK09_P6_03 Rear Panel	76-10197	1
7	SP_SK09_B1_05 Bracket	76-10198	2
8	Skid Plate Washer	54-96007	41
9	Insert Washer	54-96008	2
10	M6 Clip Nut	54-96009	18
11	M6x25mm Tapered Screw	54-96017	35
12	Hex Flange Screw M6x1.0x35	99-10006	6



Skid Plate Washer



Tapered Hex Screw M6x25mm



M6 Clip Nut

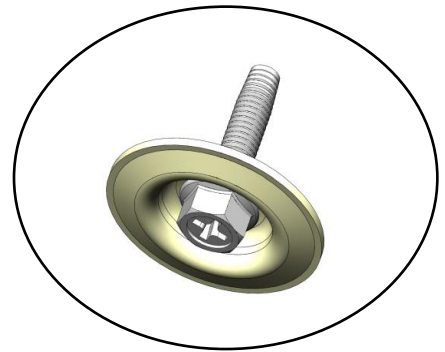


Skid Plate Insert Washer

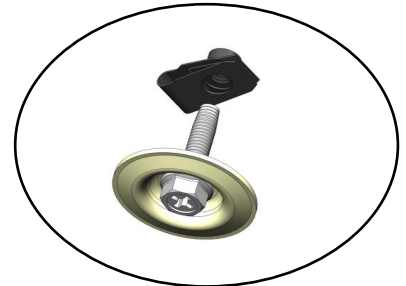
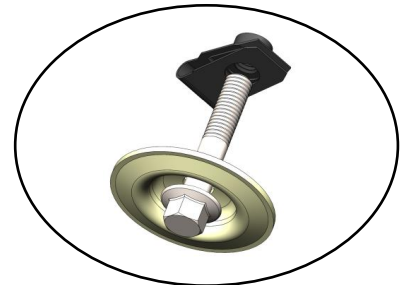




ALL GREEN holes use M6x25mm tapered bolt and washer into factory threaded holes.

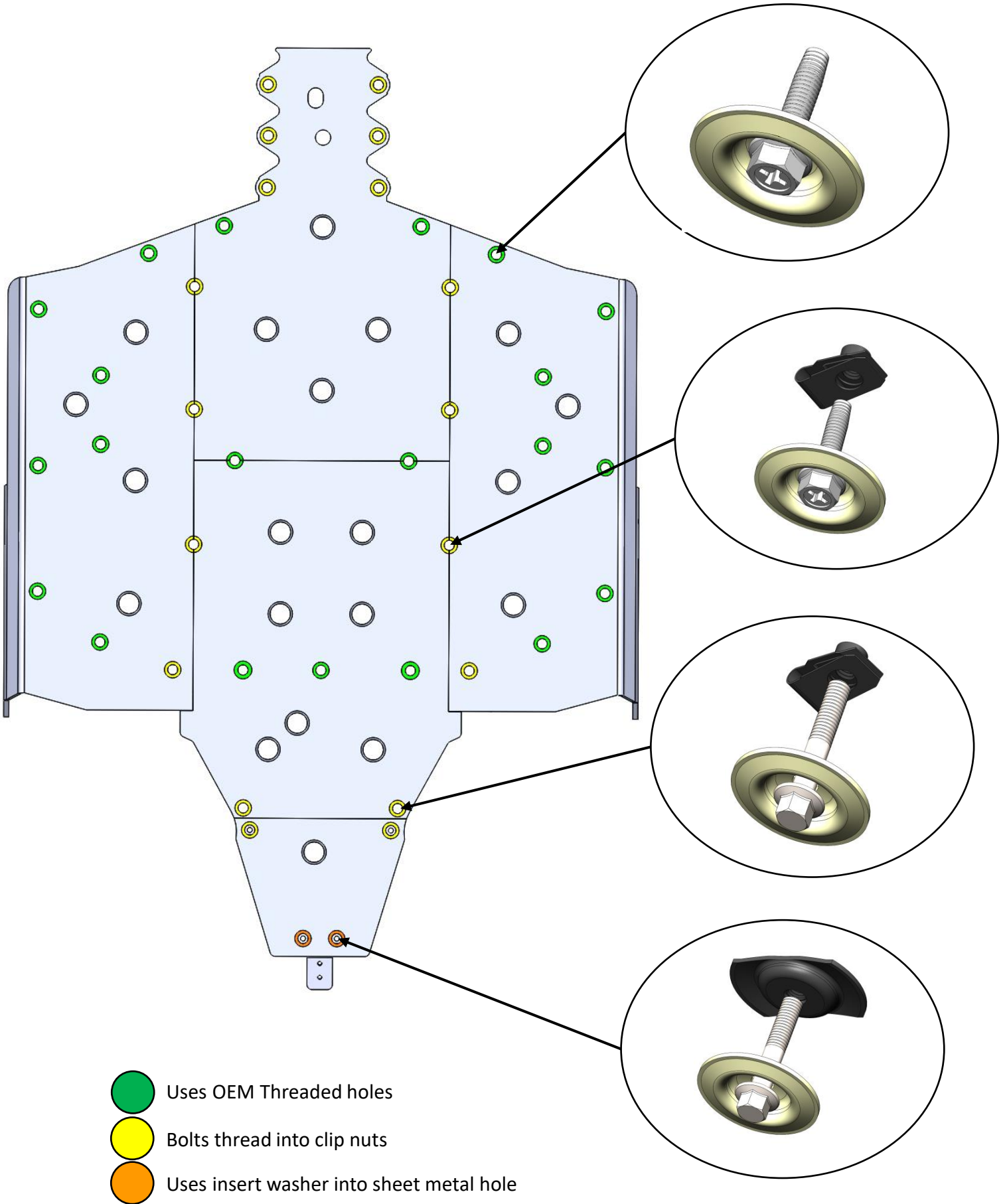


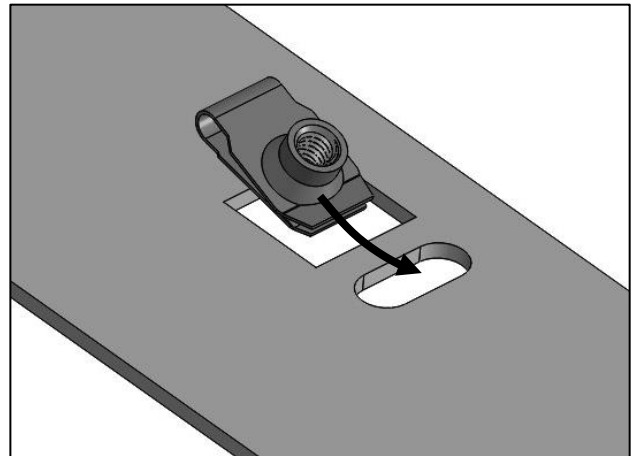
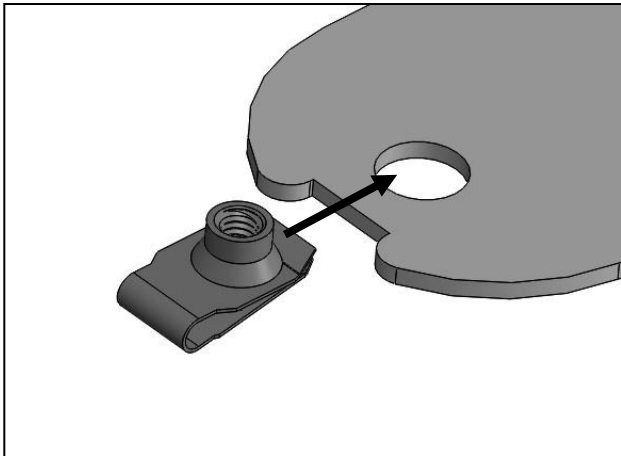
YELLOW holes use M6x25mm tapered bolt and washer into clip nuts unless called out otherwise.



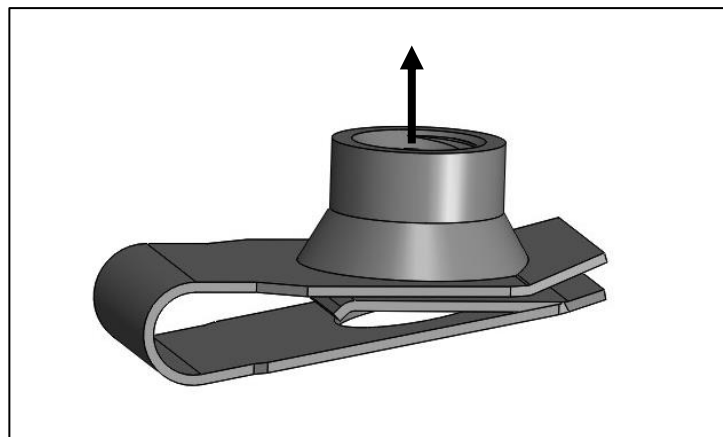
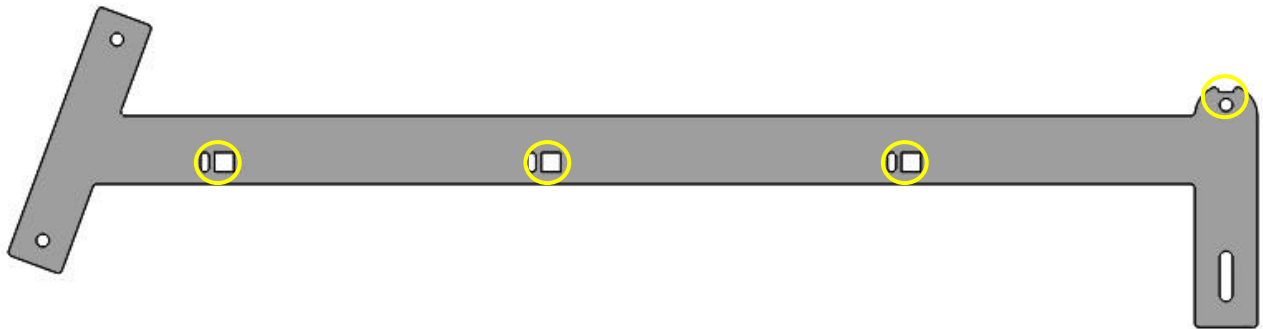
ALL ORANGE holes use M6x35mm flange head bolt and insert washer placed into factory hole in sheet metal.



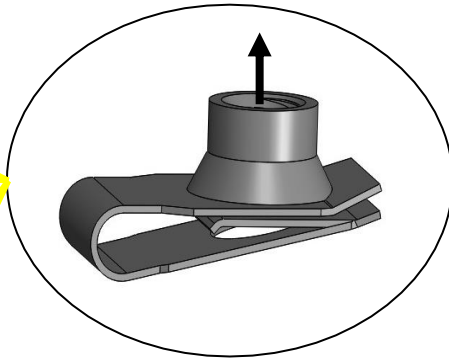
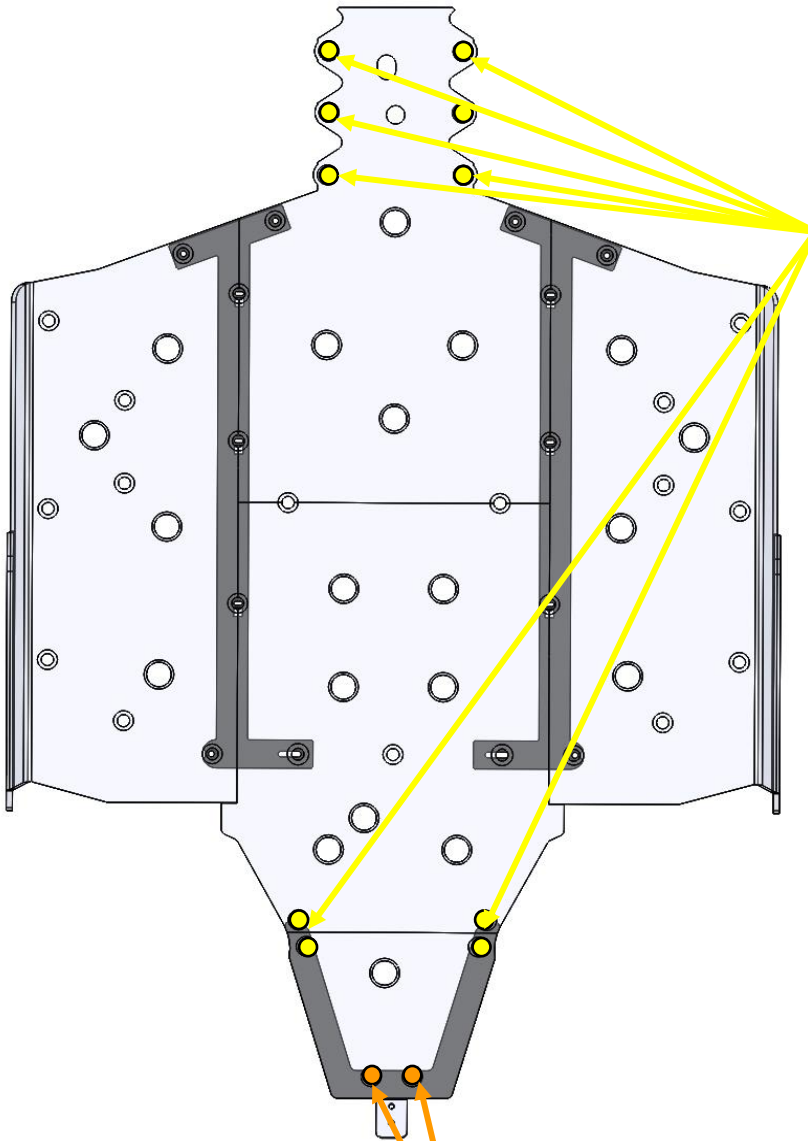




Attach all clip nuts to specified holes in metal brackets.



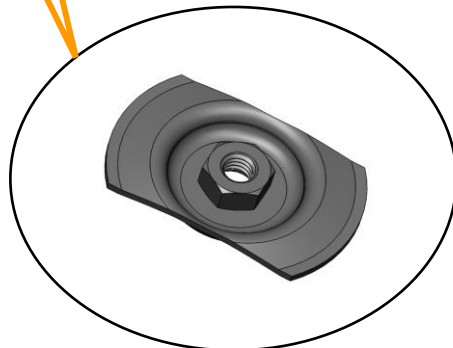
Threading should face upwards, toward vehicle



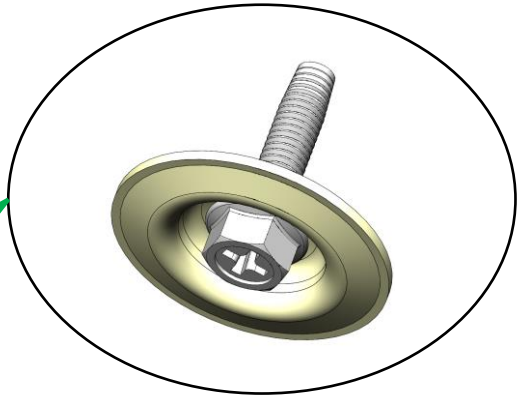
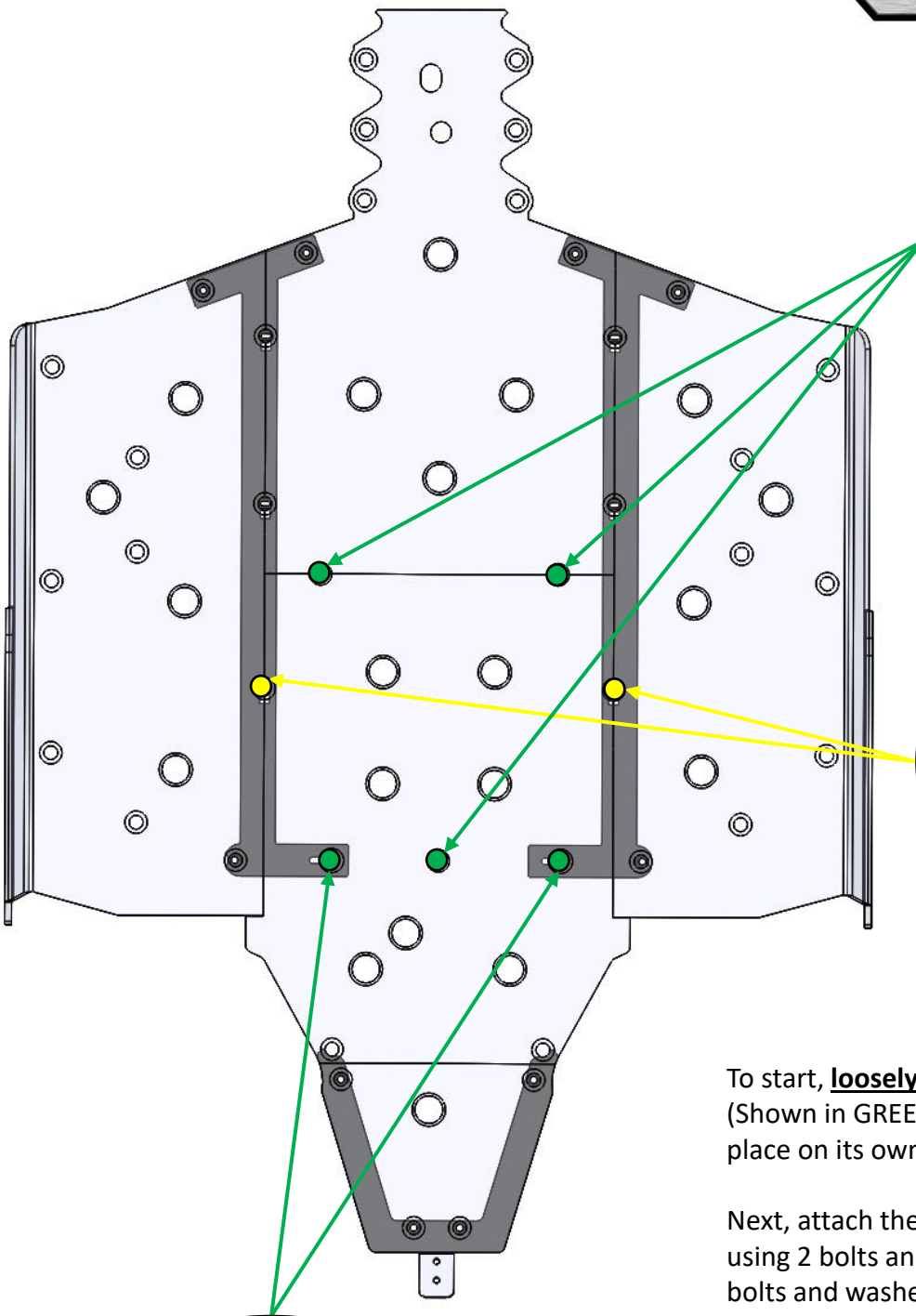
Threading should face upwards, toward vehicle

To start, remove stock skid plate. Then, attach clip nuts to vehicle undercarriage in locations shown (Shown in YELLOW). Clip nut threads should face upward, toward vehicle.

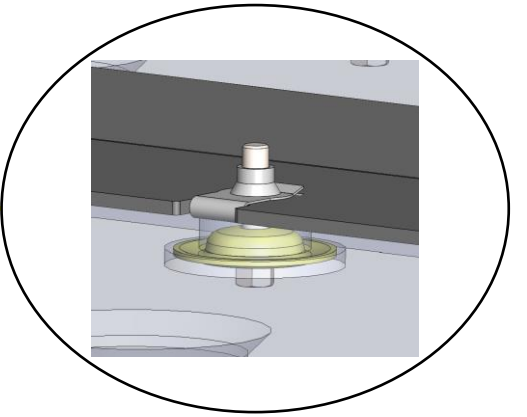
Place insert washers in Sheetmetal holes in vehicle (Shown in ORANGE).



Side shown faces upwards, toward vehicle

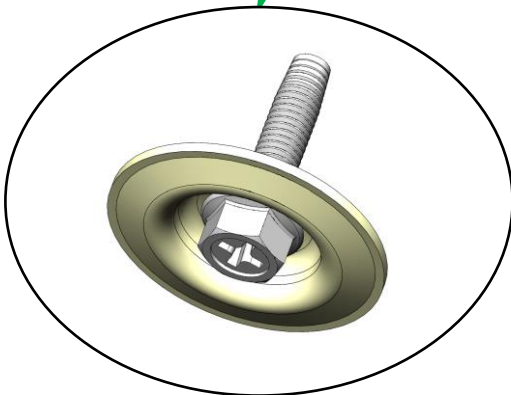


Begin with these green holes

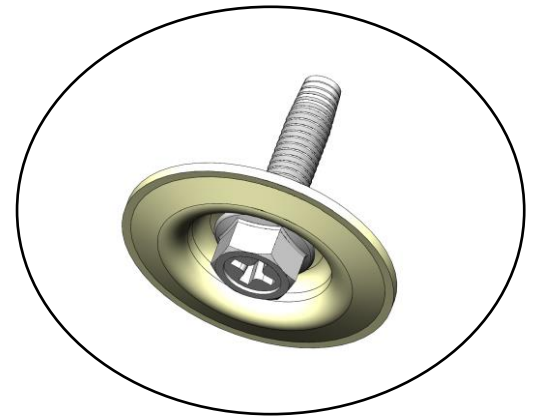
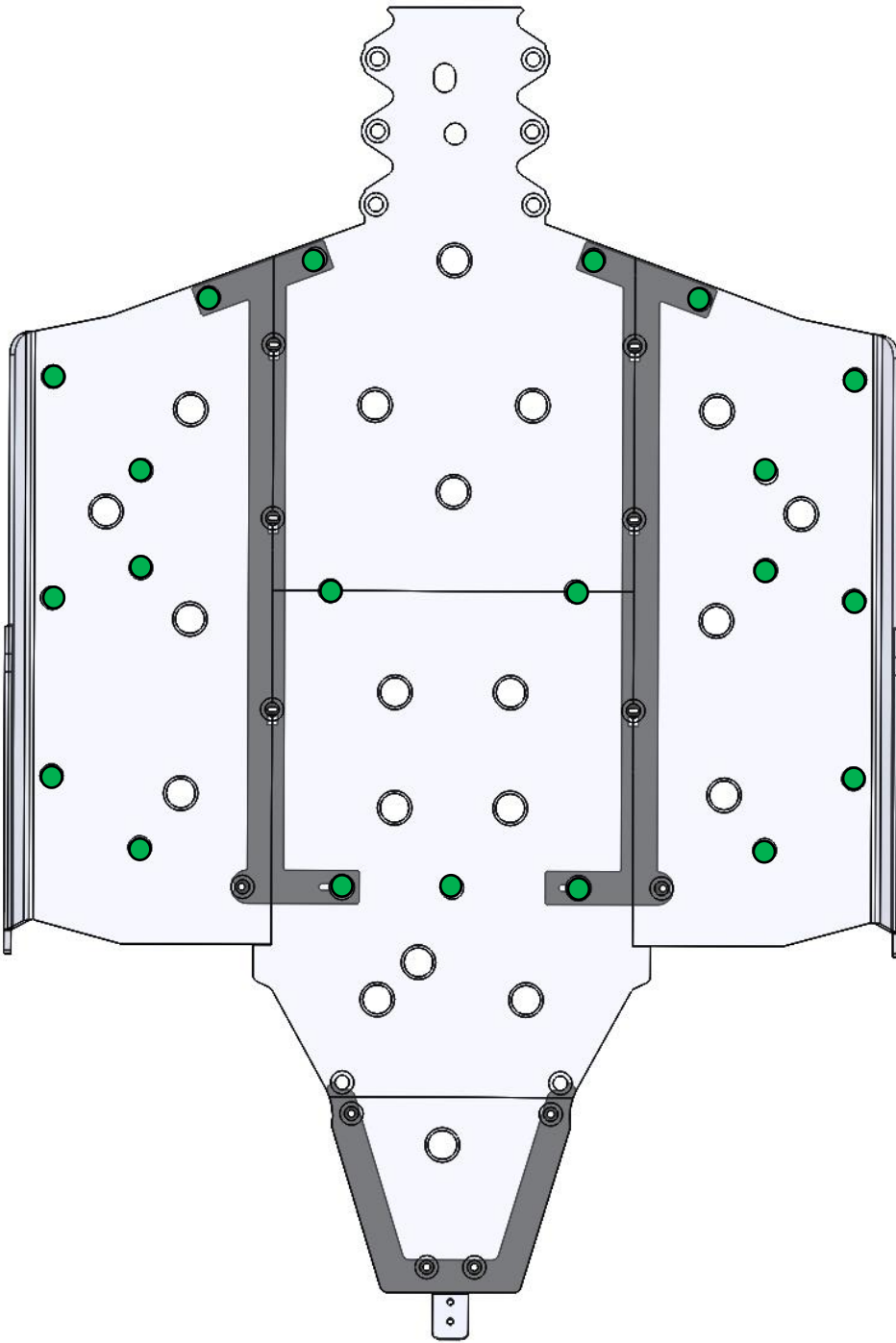


To start, **loosely** install the center 3 bolts and washers (Shown in GREEN) so that the middle panel is held in place on its own.

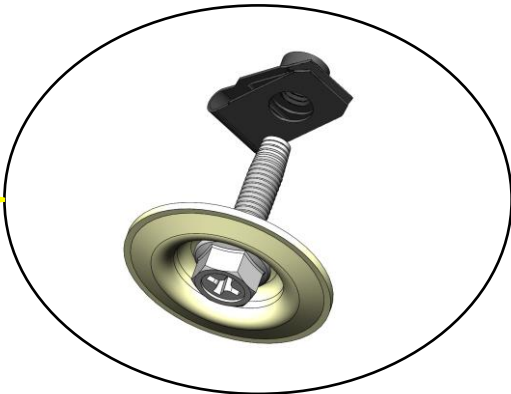
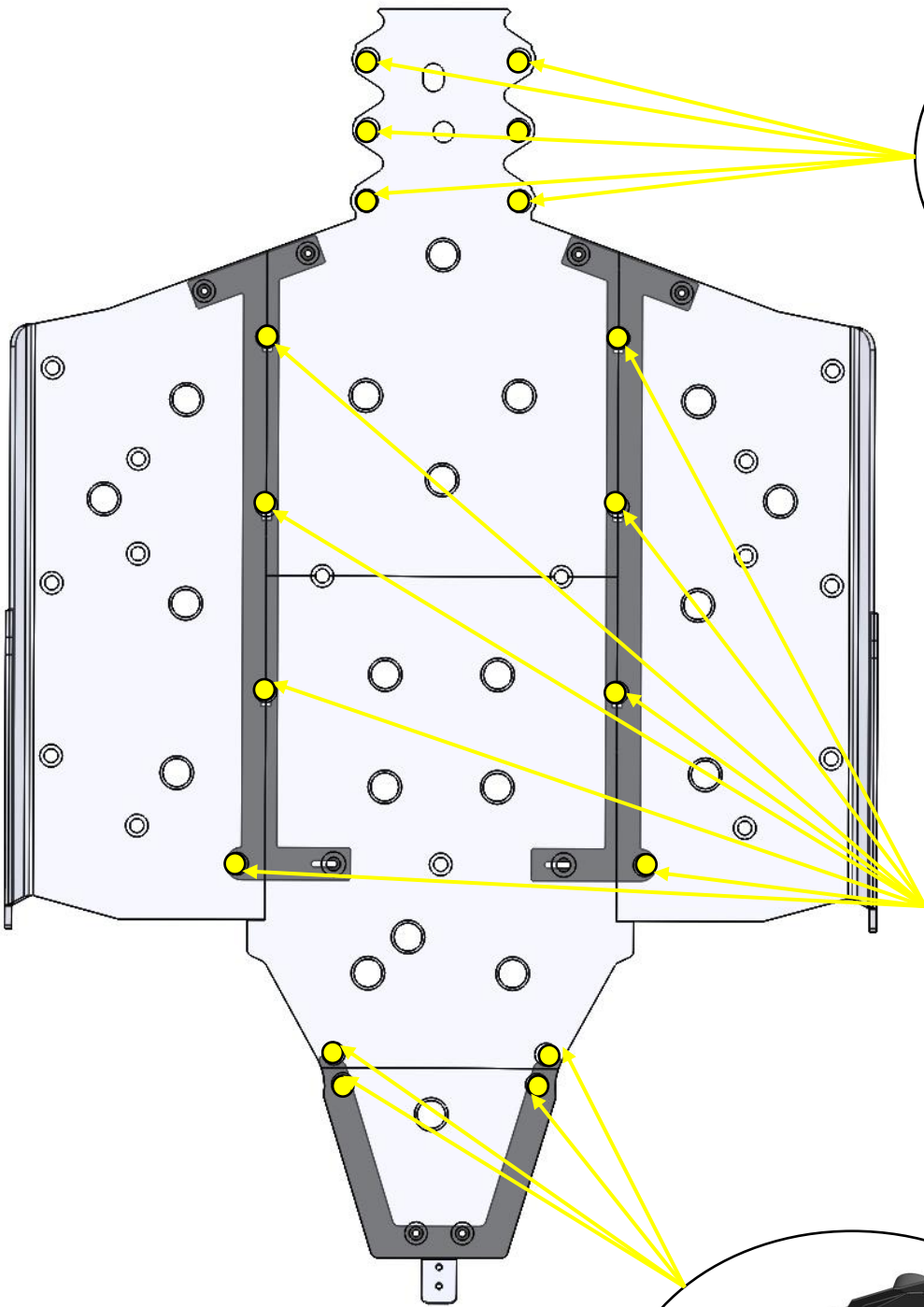
Next, attach the metal brackets to the middle panel using 2 bolts and washers (shown in GREEN) and 2 bolts and washers (Shown in YELLOW) into the clip nuts that you attached to the metal brackets. The metal brackets go between the panels and the vehicle frame. The panels will sandwich the brackets to the underside of the vehicle frame.



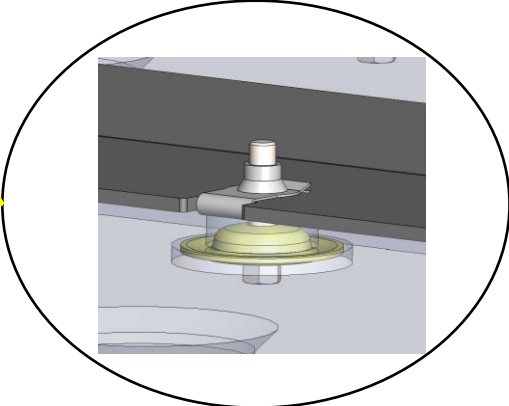
Finish with these green holes



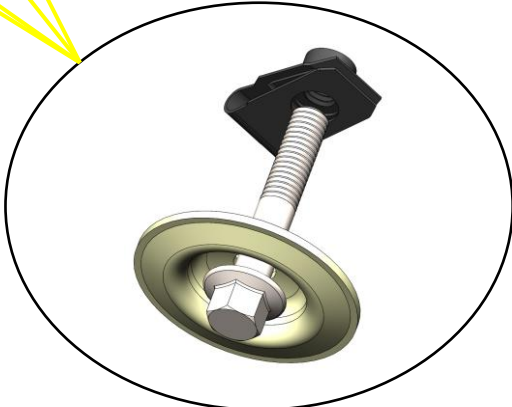
M6x25mm Tapered Bolt



Clip Nut attaches directly to vehicle

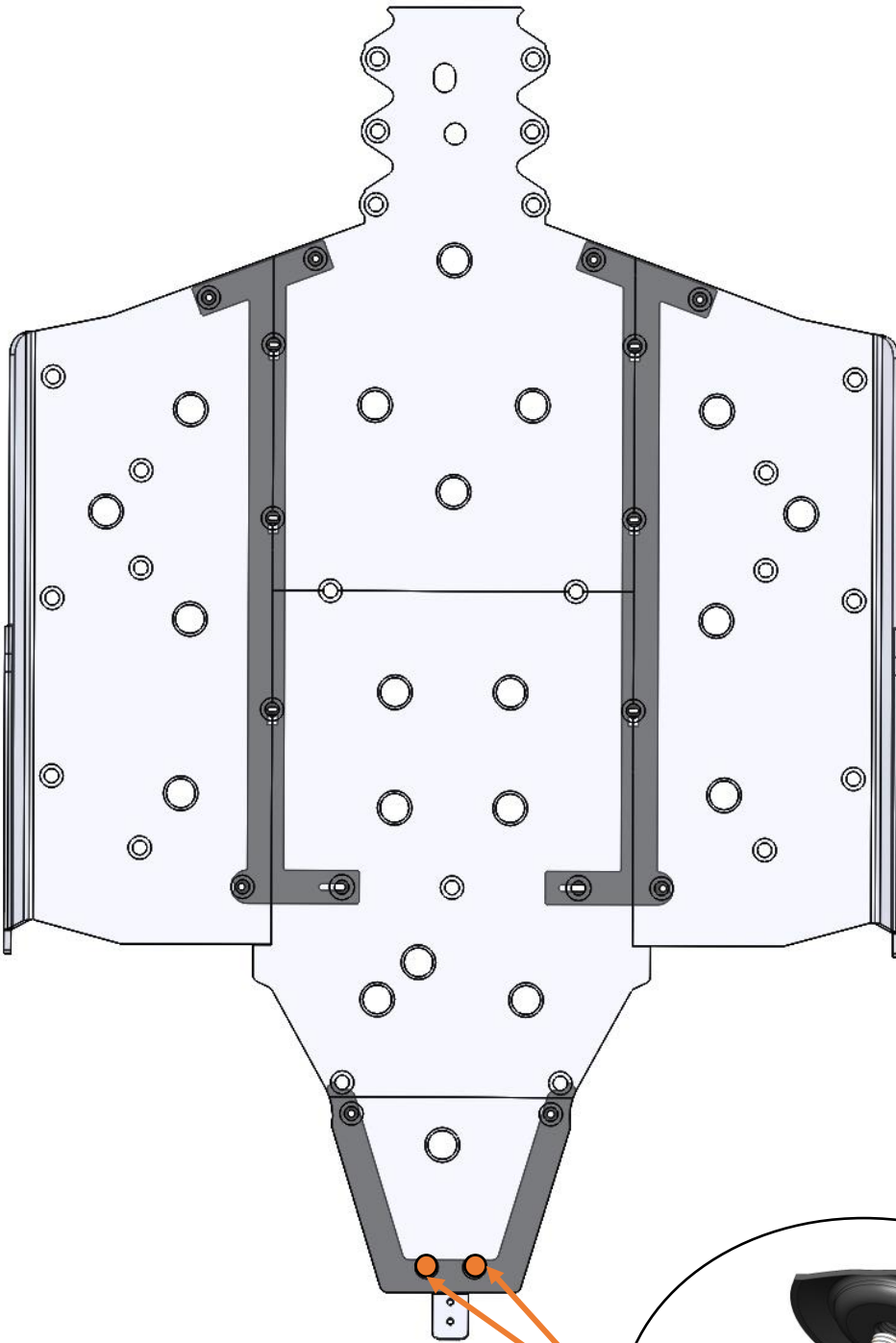


Clip Nut attaches to metal bracket



M6x35mm Bolt with a clip nut attaching to vehicle

NOTE: Spacer goes between vehicle and rear panel



NOTE: Spacer goes
between vehicle
and rear panel

M6x35mm Bolt