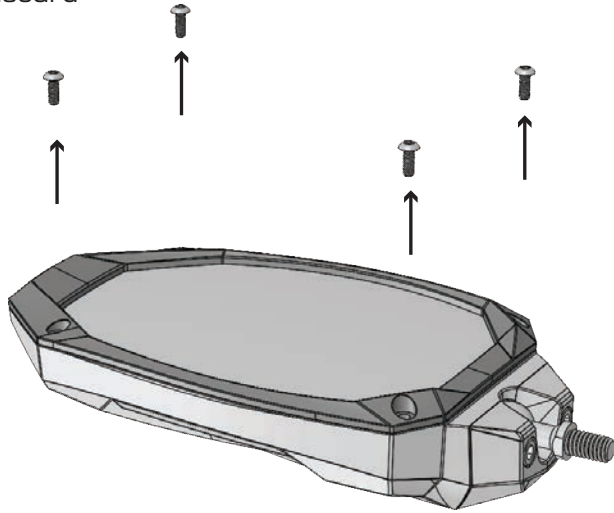


STEP 1 - Using supplied torx L key, remove the 4 bezel screws.

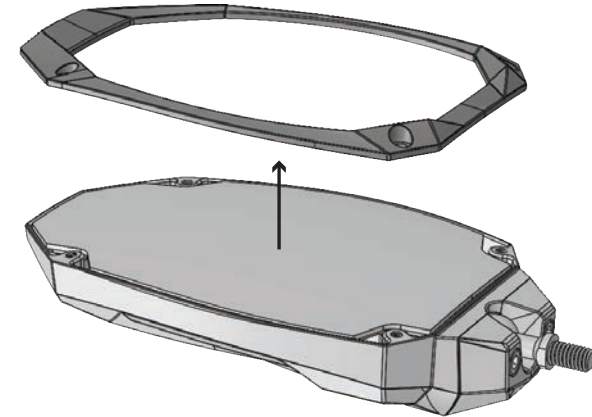
Do not discard



Warning:
LAY THE MIRROR HOUSING DOWN FACING UP. DO NOT OVER TIGHTEN.

STEP 2 - With the screws removed, take off bezel.

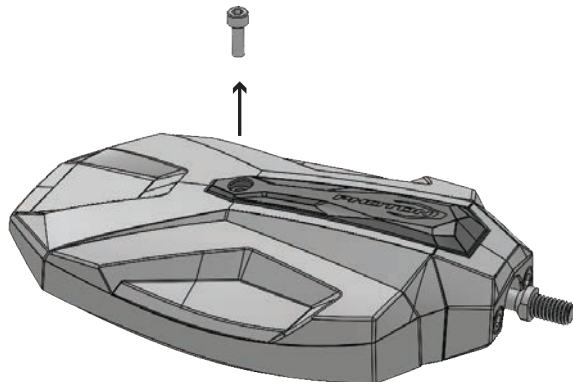
On reinstall: Use supplied torx L key to reinstall the new colored bezel using the 4 bezel screws.



Warning:
MAKE SURE TO HOLD GLASS IN PLACE AS
BEZEL IS REMOVED, THE GLASS WILL FALL OUT.

STEP 3 - Using supplied allen wrench, remove the m5 cap screw.

Do not discard



STEP 4 - Remove cap and replace with new color kit cap.

On reinstall: Use supplied allen wrench to reinstall the new colored cap using m5 cap screw.

