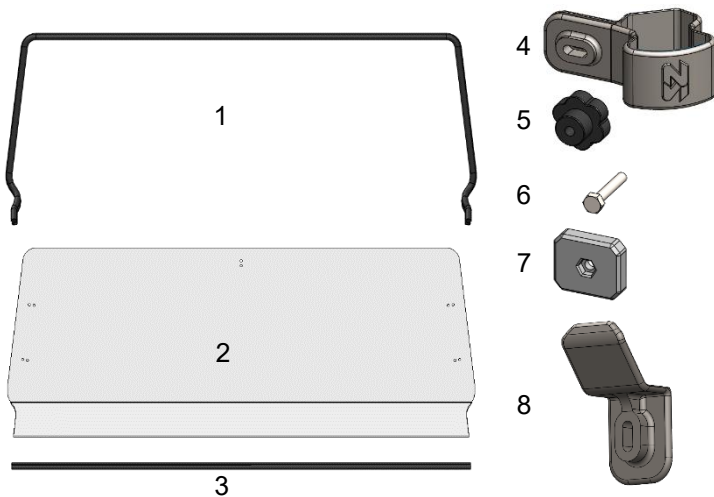




Kit Contents:



- | | |
|--------------------------|----------------------|
| 1. 90 Degree Bulb Gasket | 5. Knob (5) |
| 2. Rear Panel | 6. Bolt (5) |
| 3. Straight Bulb Gasket | 7. Backing Plate (5) |
| 4. SZ Profit Clamp (4) | 8. Half Clamp (1) |

For item part numbers refer to the appendix at the back of these instructions.

Installation Information:

This product does not require any modifications to your vehicle. Please familiarize yourself with all the steps before beginning assembly.

Compatibility Info:

This windshield is designed to work with other Seizmik branded Accessories for the Polaris General as well as OEM Polaris branded hard tops. Please note Seizmik cannot guarantee fitment with other branded aftermarket products. Please research installation details on our products and others when trying to combine different branded accessories.

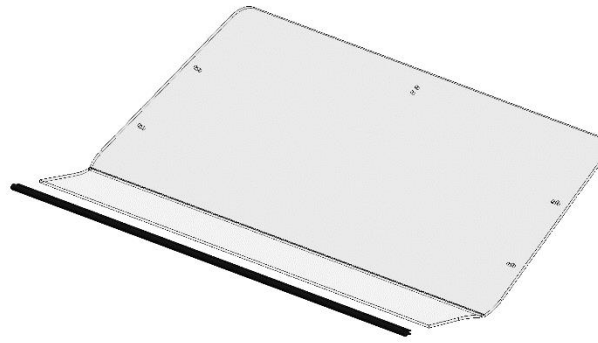
Seizmik makes Windshields, Mirrors, Door Kits, Light Bars, Hood Racks, and other great accessories for UTV's to maximize the vehicles usefulness. To help you do what you do better.

If you have any questions, comments, need assistance, or are missing parts, please call 1-866-838-3366 between 9:00AM and 5:00PM EST. Or email us at service@seizmik.com. Visit www.seizmik.com for more information on our products.

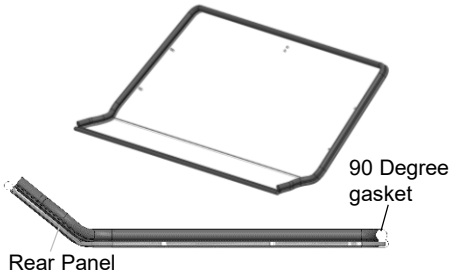
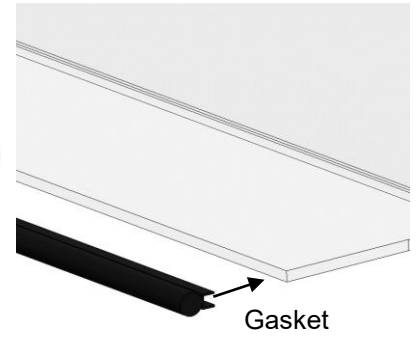
Installation:



1. Peel plastic film 4" back on all sides of panel. Remove completely after rear panel is fully installed.



2. Push the straight gasket on the bottom edge of the panel (the side without holes).



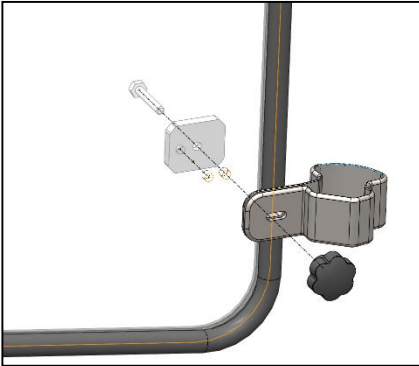
3. Push the 90 Degree gasket on the three other sides of the panel. Make sure the bulb edge is on the **inside** of the bend.



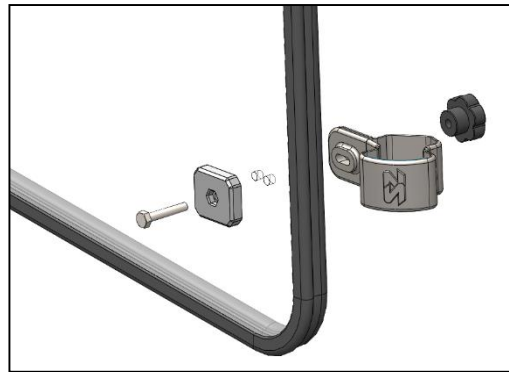
4. Open the clamp and place around roll cage with the SZ logo facing backwards as shown.



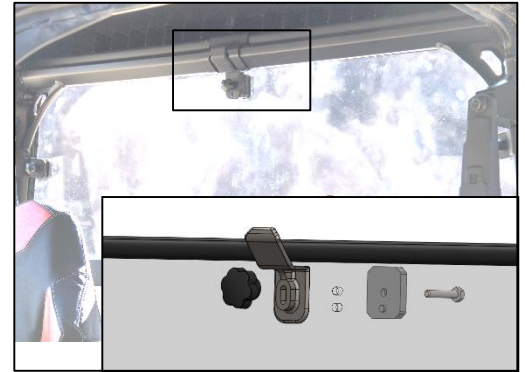
5. Place 4 clamps in the approximate locations shown.



6. Line up holes in the backing plate with holes in the panel and insert. The peg on the backing plate should go in the inside holes (not the holes near the edge of the panel).



7. Attach the rear panel to clamp with bolt and knob as shown above. Tighten knob to secure panel.



8. Attach the half clamp with bolt and knob as shown above. Tighten knob to secure panel.



APPENDIX

Polaris General Hard Rear Panel (04025)		
Item #	Part#	Description
1	54-SW-90213	90° Bulb Gasket 94"
2	54-SW-90214	Polycarbonate rear panel
3	54-SW-90215	Straight Bulb Gasket 52"
4	54-SW-90216	SZ Pro-fit plastic Clamp
5	54-SW-90217	Knob
6	54-SW-90218	40 mm plastic backing plate bolt
7	54-SW-90219	Plastic backing plate
8	54-SW-90220	Half clamp

