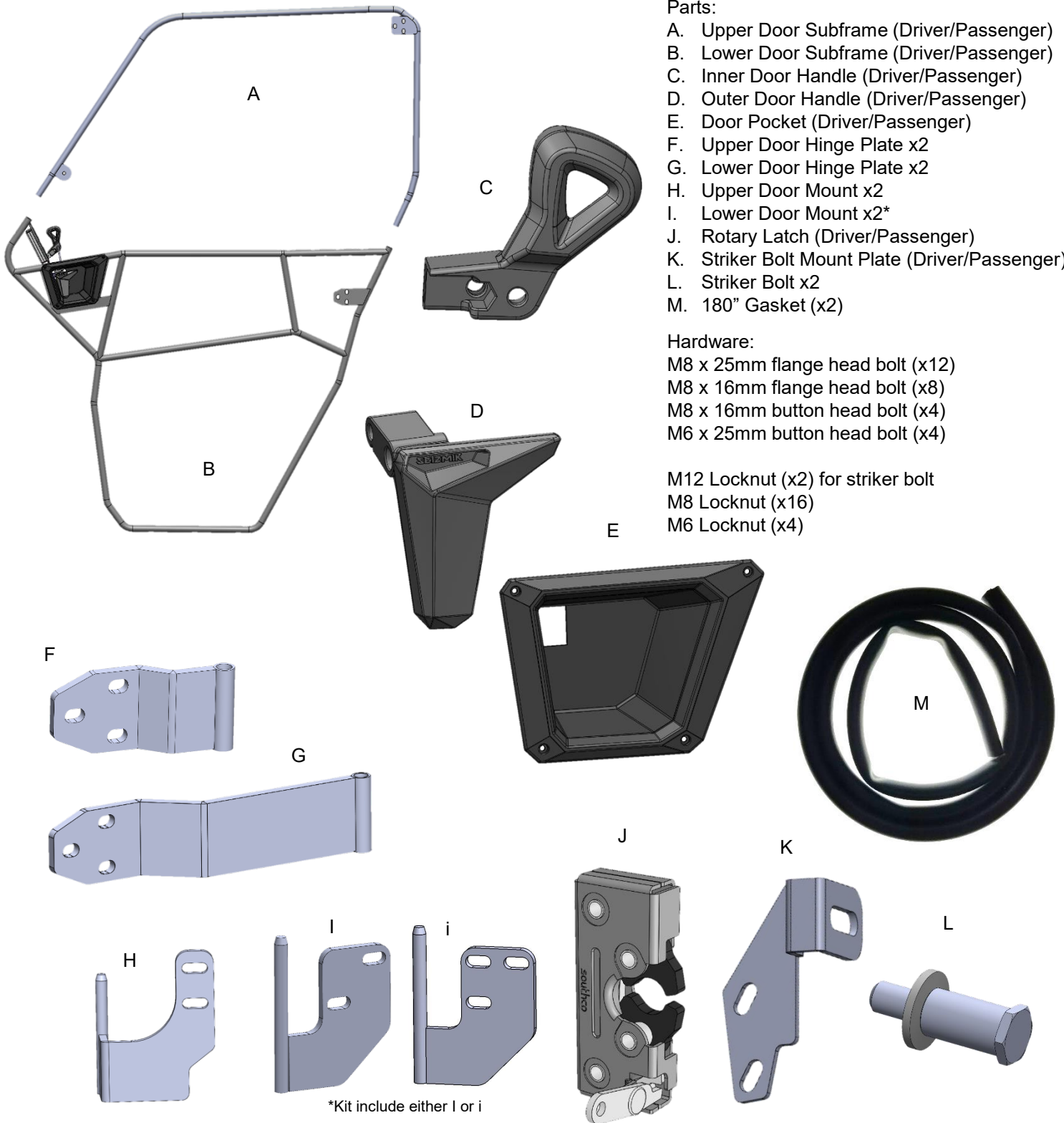


Part Number #06027



Installation & Operations Manual Can-Am Defender Soft Doors



Parts:

- A. Upper Door Subframe (Driver/Passenger)
- B. Lower Door Subframe (Driver/Passenger)
- C. Inner Door Handle (Driver/Passenger)
- D. Outer Door Handle (Driver/Passenger)
- E. Door Pocket (Driver/Passenger)
- F. Upper Door Hinge Plate x2
- G. Lower Door Hinge Plate x2
- H. Upper Door Mount x2
- I. Lower Door Mount x2*
- J. Rotary Latch (Driver/Passenger)
- K. Striker Bolt Mount Plate (Driver/Passenger)
- L. Striker Bolt x2
- M. 180" Gasket (x2)

Hardware:

- M8 x 25mm flange head bolt (x12)
- M8 x 16mm flange head bolt (x8)
- M8 x 16mm button head bolt (x4)
- M6 x 25mm button head bolt (x4)

- M12 Locknut (x2) for striker bolt
- M8 Locknut (x16)
- M6 Locknut (x4)

*Kit include either I or i

If you have any questions, comments, need assistance, or are missing parts, please call 1-866-838-3366 between 9:00AM and 5:00PM EST or email us at support@seizmik.com. Visit www.seizmik.com for more information on our products.



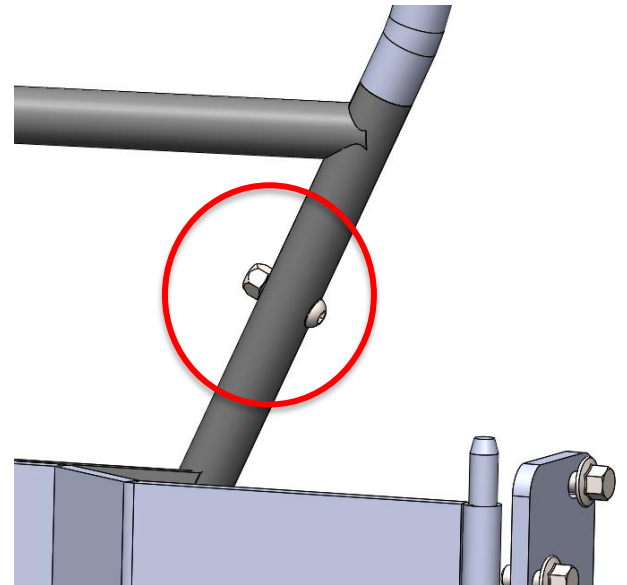
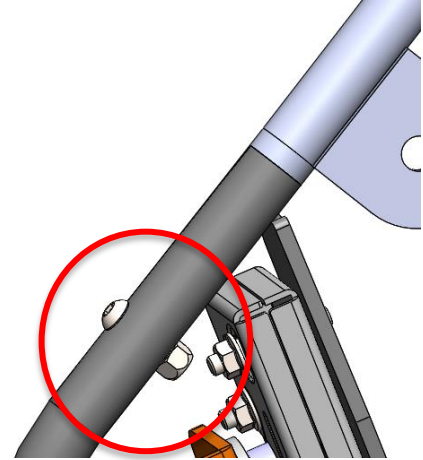
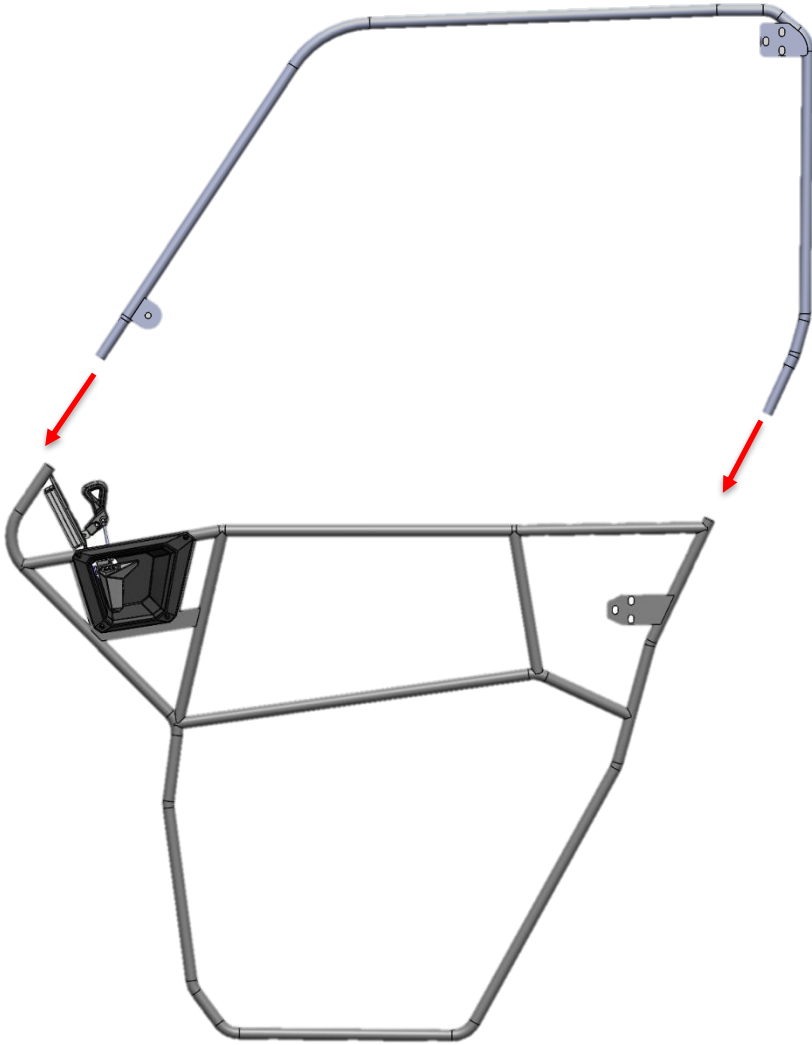
WARNING: This product is designed to protect from the elements of weather and is not designed for passenger retention purposes. Vehicle passengers should not lean on or against the doors. All passengers should wear seat belts while the vehicles is in use. Passengers leaning on or against the doors or failure of passengers to wear seat belts could result in serious bodily injury or death, especially when the vehicle is in operation.

For item part numbers refer to the appendix at the back of these instructions.

1. Assembly of Door Frame

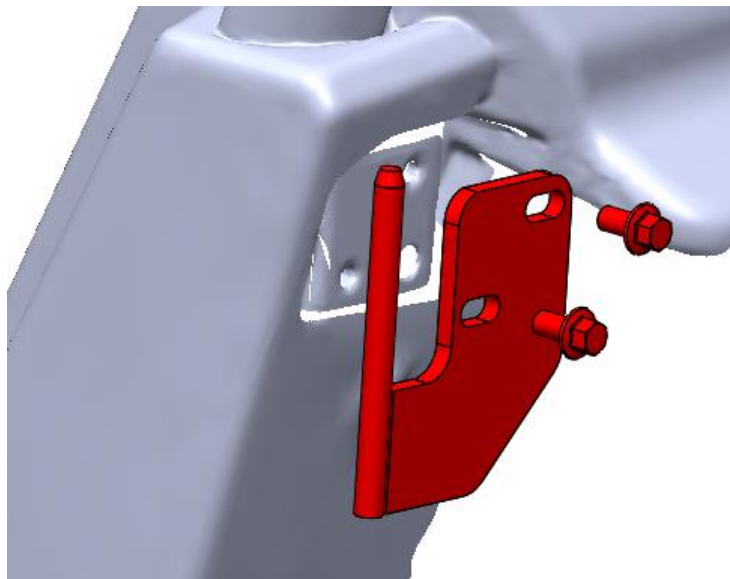
Door shown without textiles on for clarity.

Driver's side shown. Repeat for Passenger side.



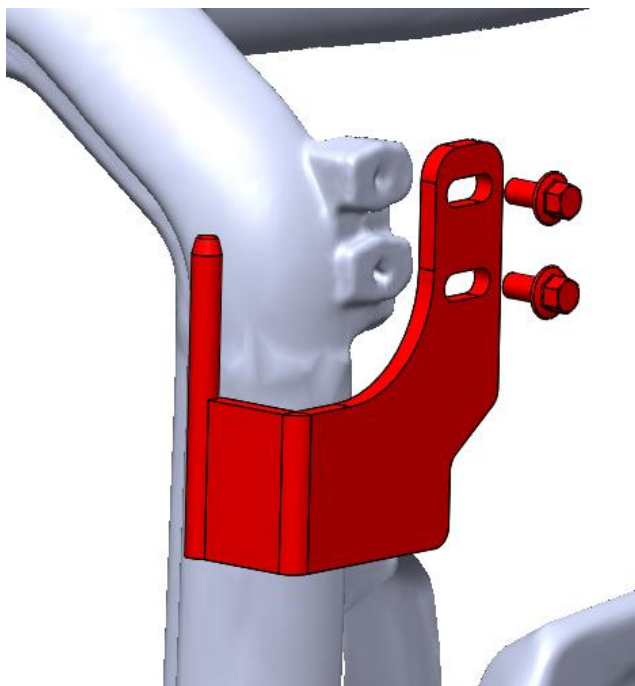
1. Assemble the Upper door frame (A) to Lower door frame (B) using supplied M6x25 button head bolts and lock nuts. Install the M6 bolts so that the bolt head are on the outside of the frame as shown.

2. Installation of Door Mounts



2. Locate the lower 2 threaded holes at the back of the cab. It will make it much easier to access if you tilt the bed back. Install Lower Door Mount (I)* using 2 M8x16mm flange head bolts. Snug the bolts down but do not tighten all of the way. You will need to adjust them later once the door is on.

*Addendum on page 12 for 2020, or future, Can-Am Defenders.



3. Locate the 2 threaded holes at the top of the cab where the roof mounts. Remove factory mounting hardware to expose the threaded holes. Install Upper Door Mount (H) using 2 M8x16mm flange head bolts. Snug the bolts down but do not tighten all of the way. You will need to adjust them later once the door is on.

3. Textile Fitment

Driver's side shown. Repeat for Passenger side.



4. The upper and lower textiles come on each half of the frame but you will need to attach the halves together and ensure they are properly secured. The highlighted areas are the main areas you will need to address. There are 3 center flaps that wrap around the tubing along with the 2" Velcro seam between the upper and lower textiles.

5. The flaps wrap all the way around the center frame tubes as shown in the picture above. Secure and wrap these at tightly as possible. Repeat for all center flaps.



6. Make sure the perimeter flap is centered and secured around the entire frame.

3. Textile Fitment Cont.

Driver's side shown. Repeat for Passenger side.



7. Pull the lower textile upwards and the upper textile downwards to line up the 2" seam Velcro so that the textile is snug and lines up evenly.



8. The textiles should appear taut but not bursting at the seams. If they are too tight in warmer weather, they will only become tighter in cooler temperatures. If you are installing these doors in the summer, give yourself some slack in the textile fit-up so that when winter rolls around, the textiles will fit properly.

3. Textile Fitment Cont.

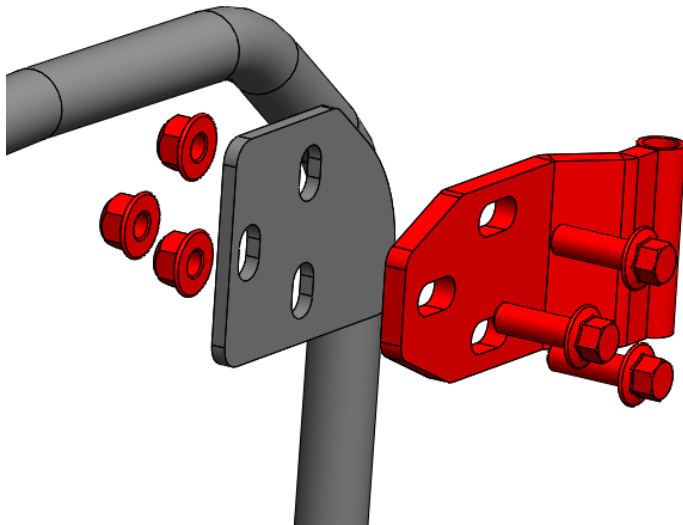
Driver's side shown. Repeat for Passenger side.



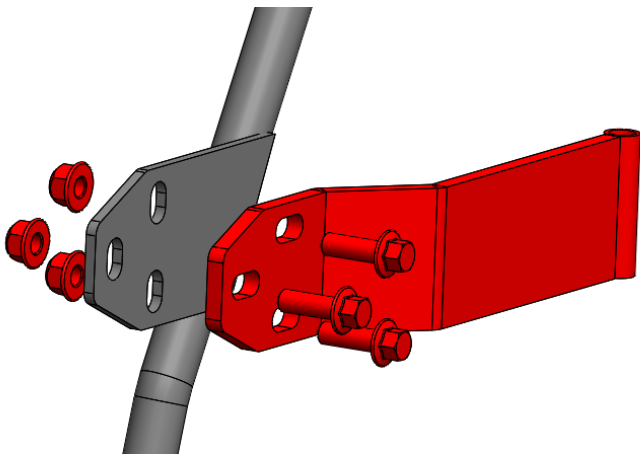
9. Holes need to be cut in door textile panels in order to mount the Upper and Lower Sliding Hinges. **Ensure textiles are tight and fit as desired before marking and cutting holes.** Take a sharp scribing tool and punch a small hole through the textile indicating the center of the slot. Take a razor blade and carefully cut out the small amount of textile so that the supplied M8 bolt may pass through the plate and the textile. Repeat this process for the lower mounting location.

4. Installation Door Hinges

Driver's side shown. Repeat for Passenger side.



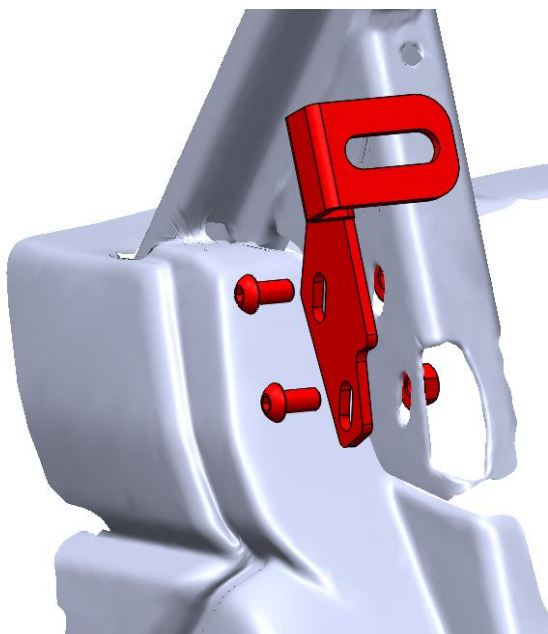
10. Pass M8x25mm flange bolts through the Upper Door Hinge Plate (F), textile, then the welded on door plate. Attach using M8 flange bolts and lock nuts as shown. Do not fully tighten at this time. Hinges are slotted for door adjustment.



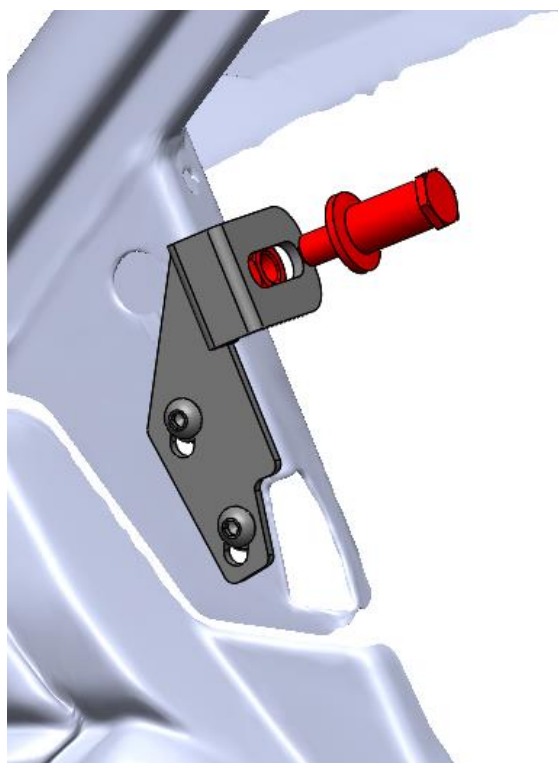
11. Pass M8x25mm flange bolts through the Lower Door Hinge Plate (G), textile, then the welded on door plate. Attach using M8 flange bolts and lock nuts as shown. Do not fully tighten at this time. Hinges are slotted for door adjustment.

5. Striker Installation

Driver's side shown. Repeat for Passenger side.



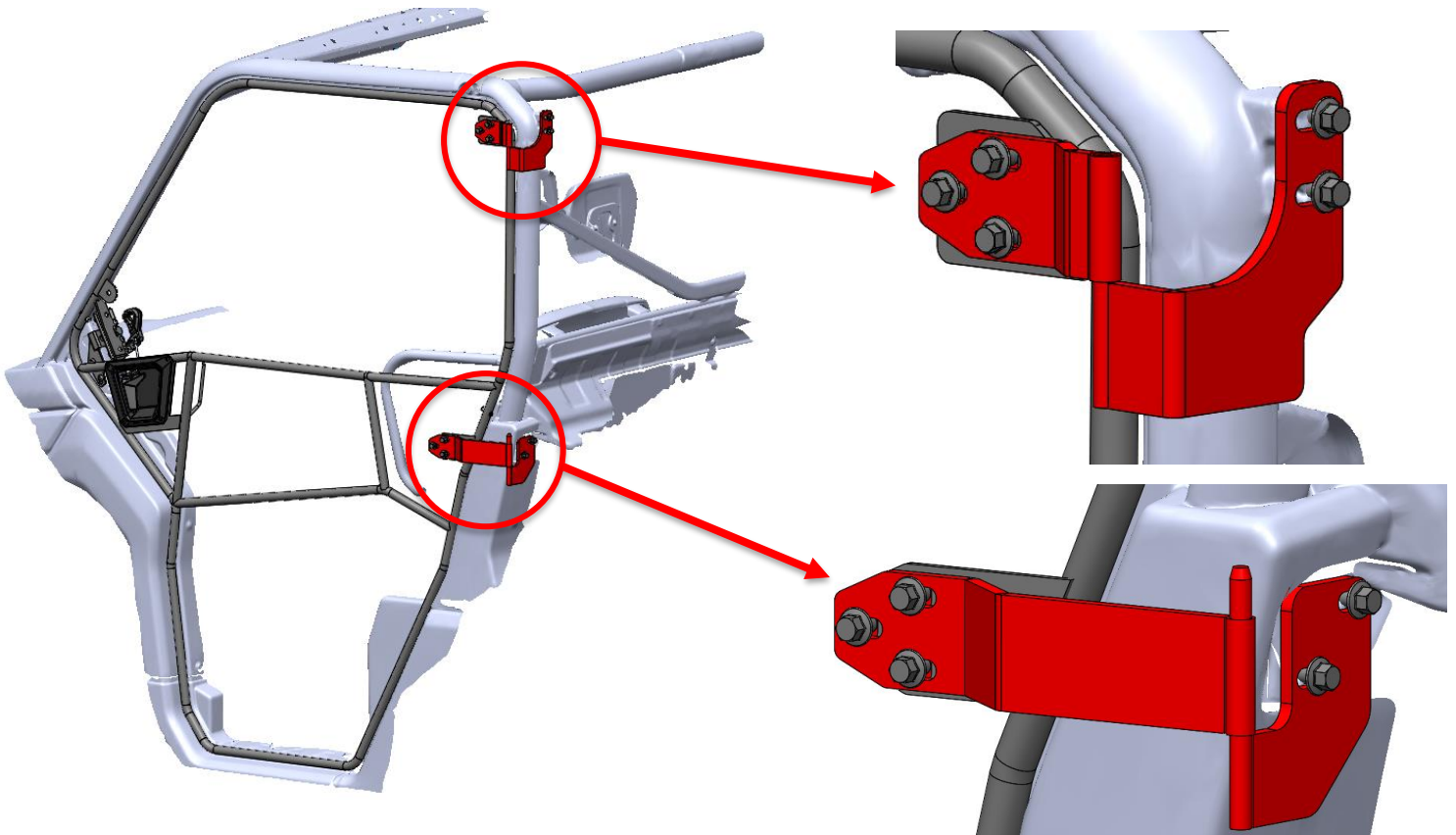
12. Pass M8x16mm button head bolts through the Striker Bolt Mount Plate (K) and front stamping on the Defender ROPS. Attach using M8 flange bolts and lock nuts as shown. Do not fully tighten at this time. Plate is slotted for door adjustment.



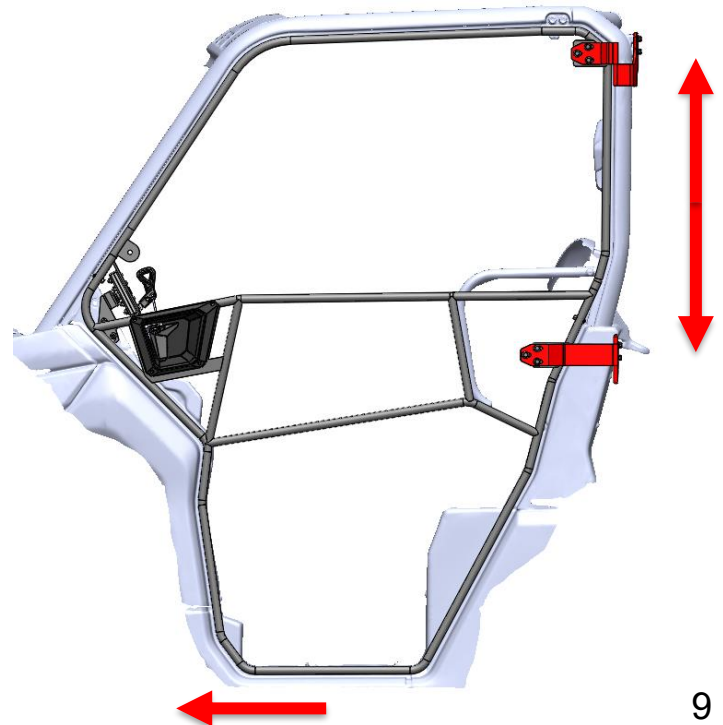
13. If not already done so, attach Striker Bolt (L) to Striker Bolt Mount Plate (K) using supplied m12 lock nut as shown.

6. Initial Door Adjustment

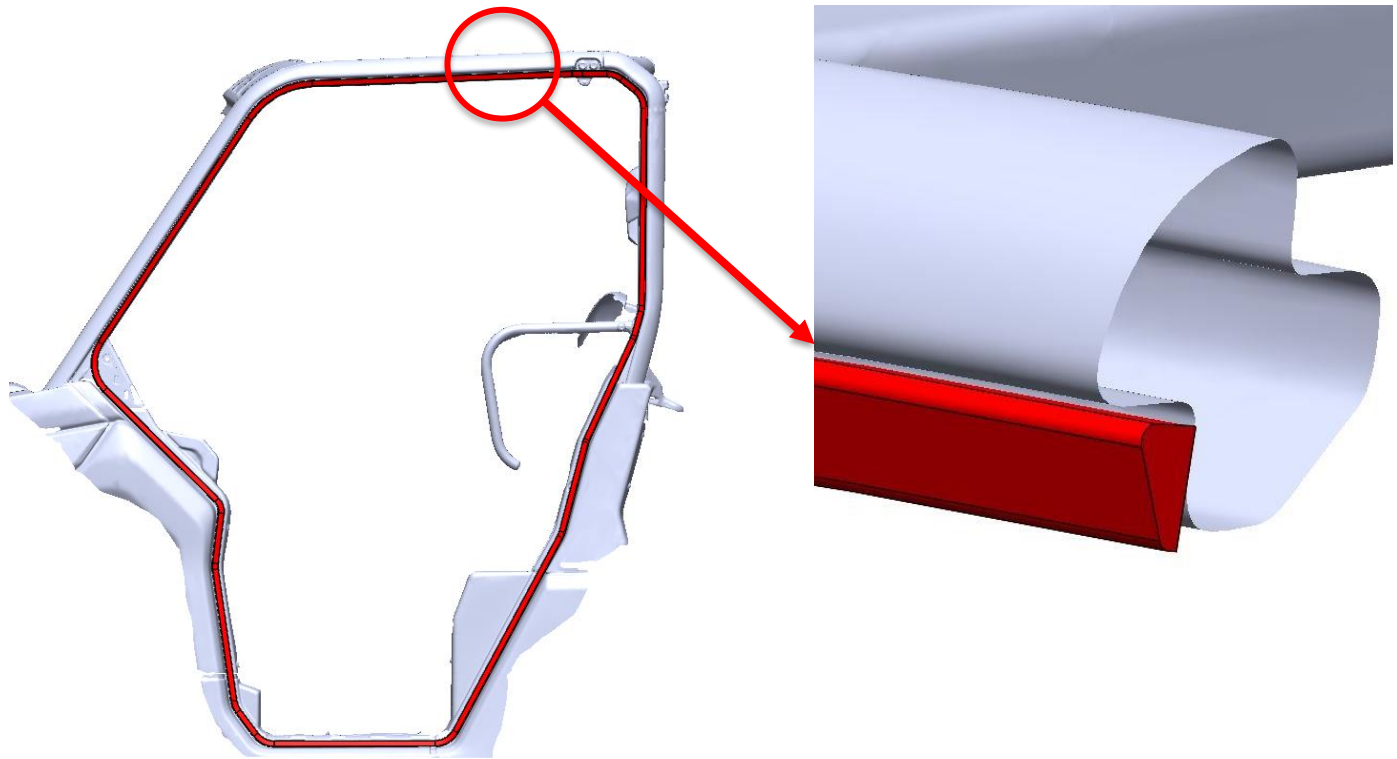
Driver's side shown. Repeat for Passenger side.



14. With all door brackets installed, slide the upper and lower hinge plates onto the upper and lower door mount pins. All brackets should be snug enough to move around in order to adjust the door to fit in the door opening of the vehicle. All brackets are slotted to help with adjustment as no 2 vehicles are exactly the same. Adjustments can be made forward and back, up and down, in and out.



7. Gasket Installation

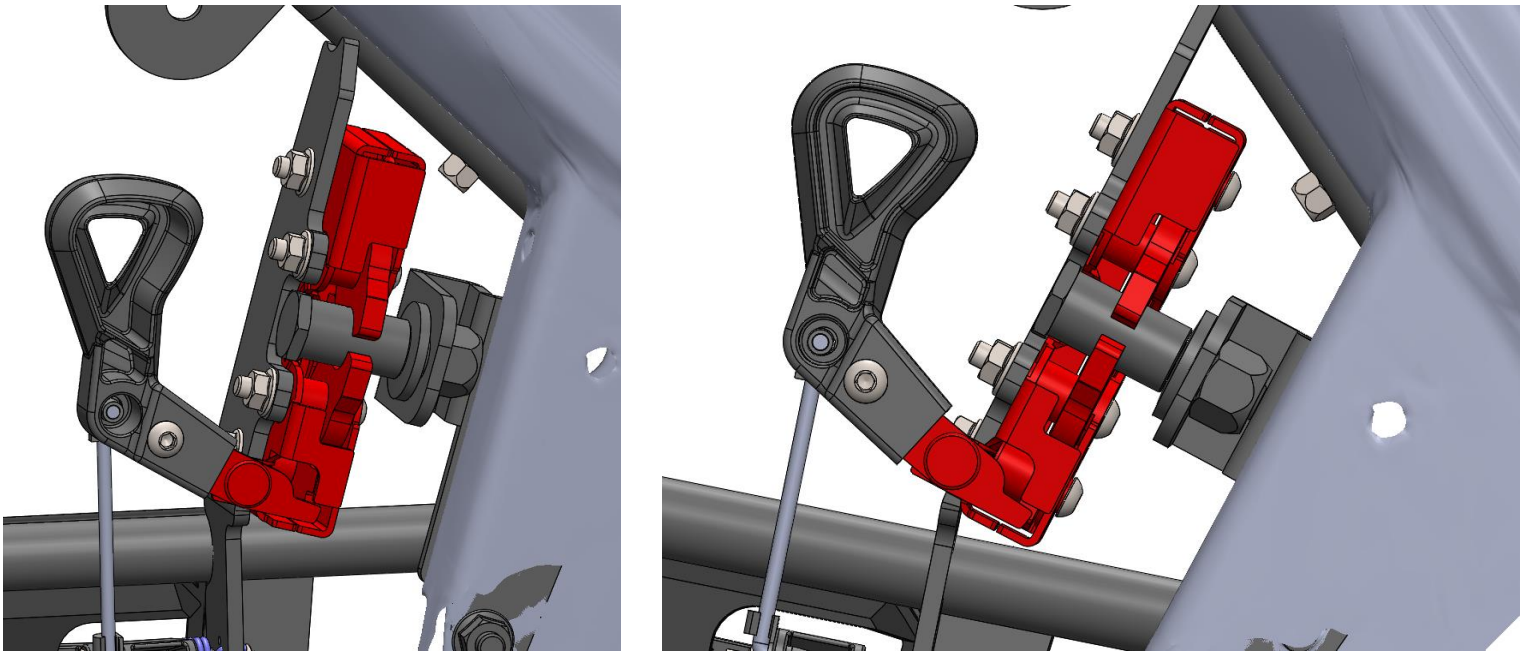


15. Clean the highlighted area of the roll cage and filler panel with rubbing alcohol or window cleaner. Adhere the provided gasket into the outer channel of the roll cage as shown by the highlighted area above. Be sure the gasket is oriented the same as the image above.



16. Adjust the door in and out using the slots in the Upper Door Mount (H) and Lower Door Mount (I). Use these slots to increase or decrease compression on the door gasket. See images above for proper gasket compression

8. Final Door Adjustment

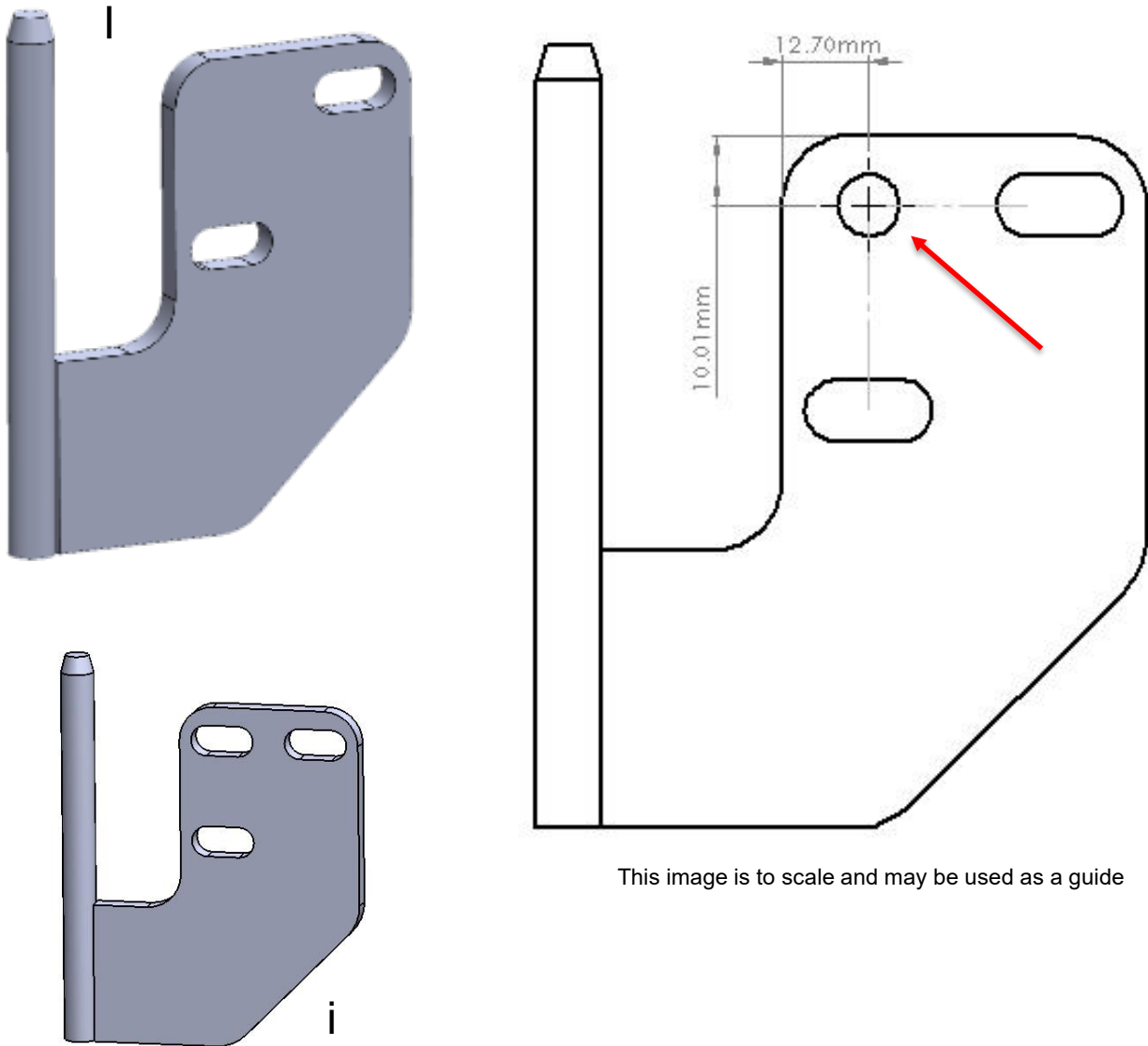


17. All mounting points on the door are slotted to help you achieve the best fit on your vehicle. The striker plate and bolt also have adjustment to ensure everything lines up properly. Ideally the Rotary Latch (J) should be in the middle of the Striker Bolt (L) as seen above. Use the slots in the door mounts (H,I), hinge plates (F,G) and striker plates (K) in order to make sure the door frame fits in the door opening properly and that the Rotary Latch (J) hits the striker bolt (L) as centered as possible without any interference with other components. See images above.. Once you are happy with the fit, tighten all of the hardware down, open and close the door a few times, then if necessary do final adjustments.

Addendum for Part I

If you have a 2019 or earlier model of the Can-Am Defender, use the holes seen in the top left image (I), **no adjustment is necessary.**

If you have a 2020 or later model of the Can-Am Defender, and your Lower Door Mount has two holes, a hole must be drilled into (I) using a 3/8" drill bit (shown in the top right image).

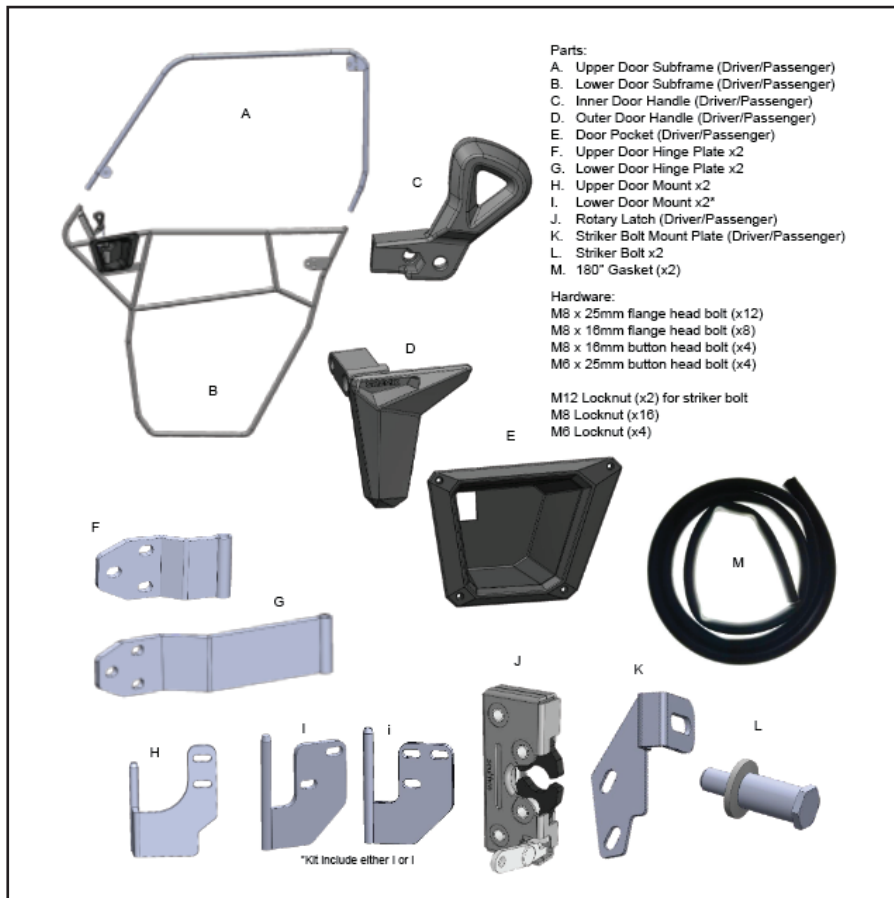


This image is to scale and may be used as a guide

i (lower left image) has been modified to fit **all** Can-Am defenders.

APPENDIX

Item #	Part#	Can Am Defender (06027) Description
	54-SW-90764	Upper textile Driver side
	54-SW-90765	Upper textile Passenger side
	54-SW-90766	Lower textile Driver side
	54-SW-90767	Lower textile Passenger side
A	54-SW-90768	Upper door frame Driver side
A	54-SW-90769	Upper door frame Passenger side
B	54-SW-90770	Lower door frame driver side
B	54-SW-90771	Lower door frame Passenger side
C	54-SW-90772	Inner door handle Driver side
C	54-SW-90773	Inner door handle Passenger side
D	54-SW-90774	Outer door handle Driver side
D	54-SW-90775	Outer door handle Passenger side
E	54-SW-90776	Door pocket Driver side
E	54-SW-90777	Door pocket Passenger side
J	54-SW-90763	Rotary latch Driver side
J	54-SW-90762	Rotary latch Passenger side
	54-SW-19210	06027 Door HWR Kit
F	54-SW-90778	Upper door hinge plate
G	54-SW-90779	Lower door hinge plate
H	54-SW-90780	Upper door mount Driver side
H	54-SW-90781	Upper door mount Passenger side
I	54-SW-90782	Lower door mount
K	54-SW-90783	Striker bolt mount plate Driver side
K	54-SW-90784	Strike bolt mount plate Passenger side
L	54-R4-90-441-10	STRIKER FOR 06024 AND 06027 DOOR
L	54-SW-90747	Striker bolt
M	54-SW-90785	Self adhesive door bulb gasket 180"
	54-SW-90165	M8x25 Flange head bolt
	54-SW-90787	M8x16 Flange head bolt
	54-SW-90788	M8x16 button head bolt
	54-SW-90112	M6x25mm button head bolt
	54-96126	M12 Locknut
	99-10023	M8 locknut
	54-90040	M6 Lock nut
	54-90122R	Lock Rod 06024 06027



APPENDIX

Item #	Part#	Can Am Defender (06027) Description
	54-SW-90764	Upper textile Driver side
	54-SW-90765	Upper textile Passenger side
	54-SW-90766	Lower textile Driver side
	54-SW-90767	Lower textile Passenger side
A	54-SW-90768	Upper door frame Driver side
A	54-SW-90769	Upper door frame Passenger side
B	54-SW-90770	Lower door frame driver side
B	54-SW-90771	Lower door frame Passenger side
C	54-SW-90772	Inner door handle Driver side
C	54-SW-90773	Inner door handle Passenger side
D	54-SW-90774	Outer door handle Driver side
D	54-SW-90775	Outer door handle Passenger side
E	54-SW-90776	Door pocket Driver side
E	54-SW-90777	Door pocket Passenger side
J	54-SW-90763	Rotary latch Driver side
J	54-SW-90762	Rotary latch Passenger side
	54-SW-19210	06027 Door HWR Kit
F	54-SW-90778	Upper door hinge plate
G	54-SW-90779	Lower door hinge plate
H	54-SW-90780	Upper door mount Driver side
H	54-SW-90781	Upper door mount Passenger side
I	54-SW-90782	Lower door mount
K	54-SW-90783	Striker bolt mount plate Driver side
K	54-SW-90784	Strike bolt mount plate Passenger side
L	54-R4-90-441-10	STRIKER FOR 06024 AND 06027 DOOR
L	54-SW-90747	Striker bolt
M	54-SW-90785	Self adhesive door bulb gasket 180"
	54-SW-90165	M8x25 Flange head bolt
	54-SW-90787	M8x16 Flange head bolt
	54-SW-90788	M8x16 button head bolt
	54-SW-90112	M6x25mm button head bolt
	54-96126	M12 Locknut
	99-10023	M8 locknut
	54-90040	M6 Lock nut
	54-90122R	Lock Rod 06024 06027
	93	ICOS 2
	54-SW-90793	ICOS 2 foam base
	54-SW-90160	Buckle assembly
	54-SW-90161	Plastic seat belt insert
	54-SW-90794	3 point seatbelt clip

