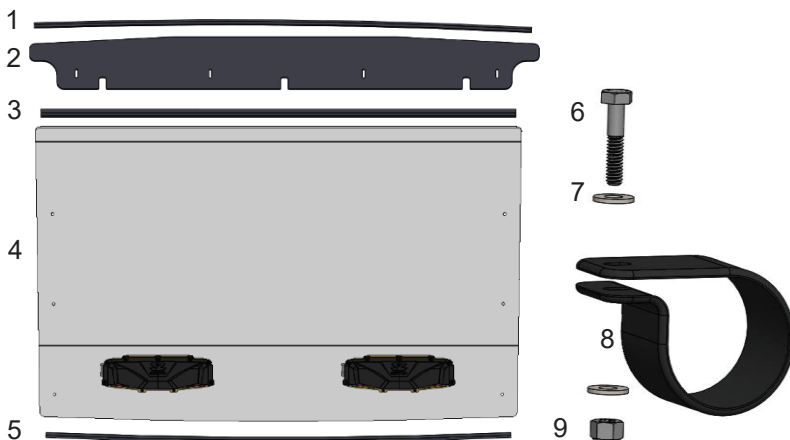


Installation & Operations Manual Kubota RTV X Full Vented Windshield



Kit Contents:



- | | |
|----------------------------|----------------------------|
| 1. Bulb Gasket (53 Inches) | 6. 1/4 20 x 1.25 Bolt (10) |
| 2. Header Panel | 7. 1/4 Washer (20) |
| 3. Bulb Gasket (51 Inches) | 8. Plastic P clamp (10) |
| 4. Windshield with Vents | 10 1/4 20 Locknut (10) |
| 5. Bulb Gasket (46 Inches) | |

Installation Information:

This product does not require any modifications to your vehicle. Please familiarize yourself with all the steps before beginning assembly.

Compatibility Info:

This windshield is designed to work with other Seizmik branded Accessories for the Kubota RTV-X as well as the Kubota . Please note Seizmik cannot guarantee fitment with other branded aftermarket products. Please research installation details on our products and others when trying to combine different branded accessories.

Seizmik makes Windshields, Mirrors, Door Kits, Light Bars, Hood Racks, and other great accessories for UTV's to maximize the vehicles usefulness. To help you do what you do better.

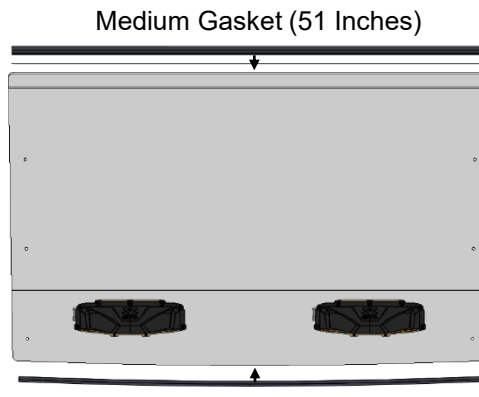
If you have any questions, comments, need assistance, or are missing parts, please call 1-866-838-3366 between 9:00AM and 5:00PM EST. Or email us at service@seizmik.com. Visit www.seizmik.com for more information on our products.

For item part numbers refer to the appendix at the back of these instructions.

Installation:



1. Peel plastic 4" back on all sides of windshield. Remove completely after windshield is fully installed.

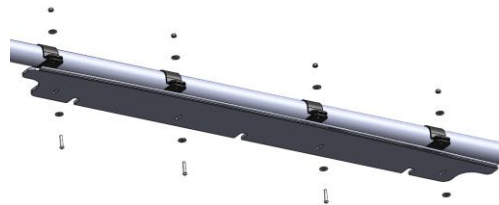


Shortest Gasket (46 Inches)

2. Push the gasket on the top and bottom of the windshield as well as the long curved surface of the header panel.



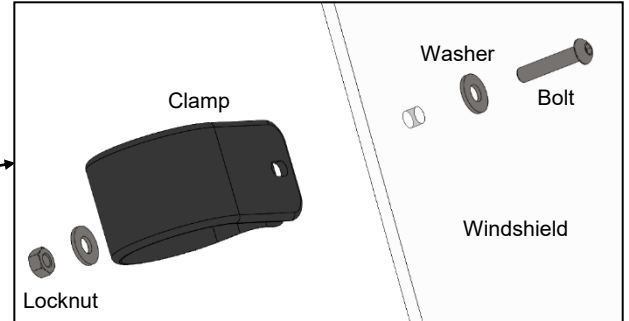
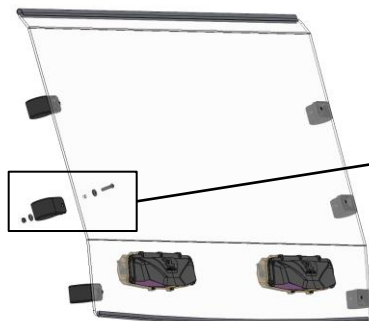
3. Bolt the Header panel in front of the upper cross bar in on the RTV X with 4 plastic p clamps bolts and washers.



5. Place six clamps in the approximate locations shown.

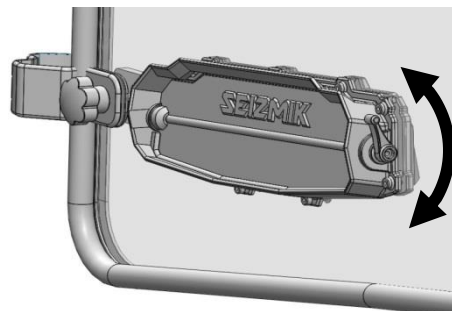


6. Insert the windshield through the side of the vehicle.

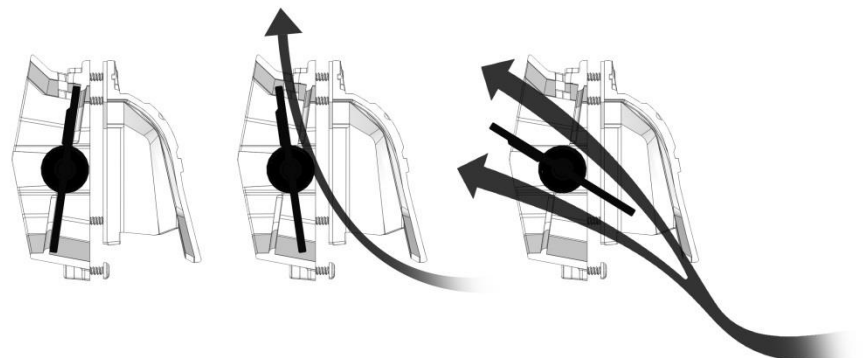


7. Attach the windshield with the included bolt, two washers, and locknut as shown.

VENT OPERATION:



Turn handle to adjust vent. If the vent seems too tight or too loose, it can be adjusted by turning the T10 Torx screw in the handle.



The vent has 3 positions: Closed, Defog, and open.

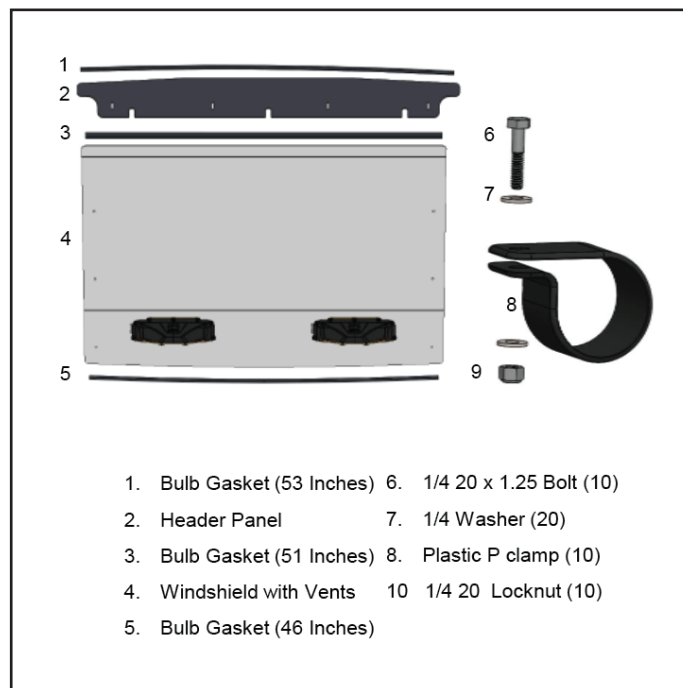


APPENDIX

Kubota RTV X Full Vented Windshield(25028)		
Item #	Part#	Description
1	54 SW-90330	Bulb Gasket 53"
2	54 SW-90329	ABS plastic header panel
3	54 SW-90331	Bulb Gasket 51"
4	54 SW-90328	Double Sided Hardcoated Polycarbonate panel
5	54 SW-90332	Bulb Gasket 46"
6	54 SW-90334	1/4 20 x 1.25 flange Bolt
8	54 SW-90333	2" Plastic clamp
10	54 SW-90335	1/4 20 flange Locknut
	54 SW-90156	Vent/scoop
	54 SW-90157	Louver Assembly
	54 SW-90158	Vent gasket
	54 SW-90159	6-20 x .75 screw

Kubota RTV-X Full Vented Uncoated Polycarbonate Windshield (26081)		
Item #	Part#	Description
4	54-SW-90517	Uncoated poly carbonate panel
5	54-SW-90332	Bulb Gasket 46"
8	54-SW-90333	2" Plastic clamp
6	54-SW-90334	1/4 20 x 1.25 flange Bolt
10	54-SW-90335	1/4 20 flange Locknut
	54-SW-90156	Vent/scoop
	54-SW-90157	Louver Assembly
	54-SW-90158	Vent gasket
	54-SW-90159	6-20 x .75 screw

Kubota RTV Full Vented Windshield(26088)		
Item #	Part#	Description
4	54-SW-90328	Double Sided Hardcoated Polycarbonate panel
5	54-SW-90332	Bulb Gasket 46"
8	54-SW-90333	2" Plastic clamp
6	54-SW-90334	1/4 20 x 1.25 flange Bolt
10	54-SW-90335	1/4 20 flange Locknut
	54-SW-90156	Vent/scoop
	54-SW-90157	Louver Assembly
	54-SW-90158	Vent gasket
	54-SW-90159	6-20 x .75 screw



1. Bulb Gasket (53 Inches)
2. Header Panel
3. Bulb Gasket (51 Inches)
4. Windshield with Vents
5. Bulb Gasket (46 Inches)
6. 1/4 20 x 1.25 Bolt (10)
7. 1/4 Washer (20)
8. Plastic P clamp (10)
10. 1/4 20 Locknut (10)