

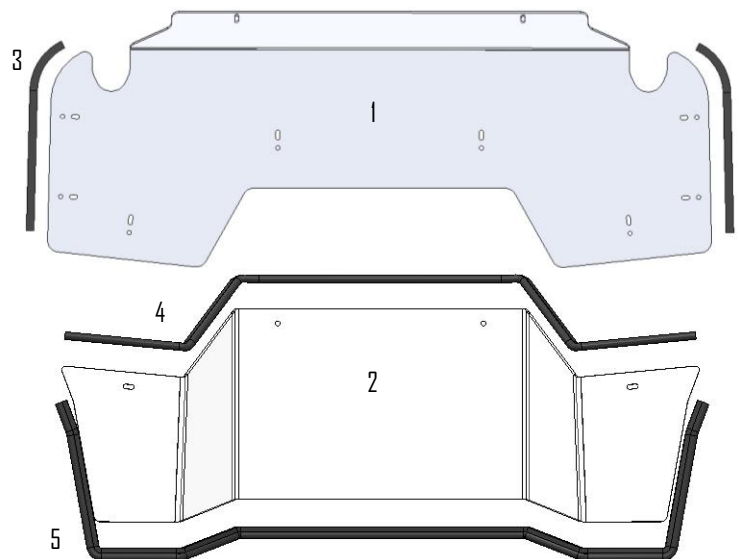
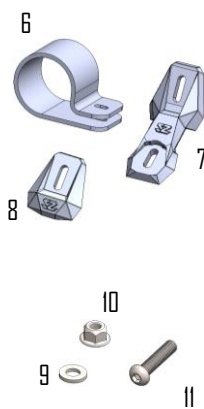
Installation Manual RZR PRO XP Rear Windshield Panel



Kit Contents:

For item part numbers refer to the appendix at the back of these instructions.

1. Upper Windshield
2. Lower Windshield
3. 13.25" 90-degree Bulb Gasket (2)
4. 49" 90-degree Bulb Gasket
5. 63" 180-degree Bulb Gasket
6. 1.75" Plastic Clamp (2)
7. Bracket (4)
8. Bracket Cover (8)
9. 6mm Flat Washer (14)
10. 6mm Hex Flange Nut (14)
11. 6x30mm Socket Button Head Cap Screw (14)



Installation Information:

This product does not require any modifications to your vehicle. Please familiarize yourself with all the steps before beginning assembly.

Compatibility Info:

This windshield is designed to work with other Seizmik branded Accessories for the RZR PRO XP as well as OEM Polaris hard tops. Please note Seizmik cannot guarantee fitment with other branded aftermarket products. Please research installation details on our products and others when trying to combine different branded accessories.

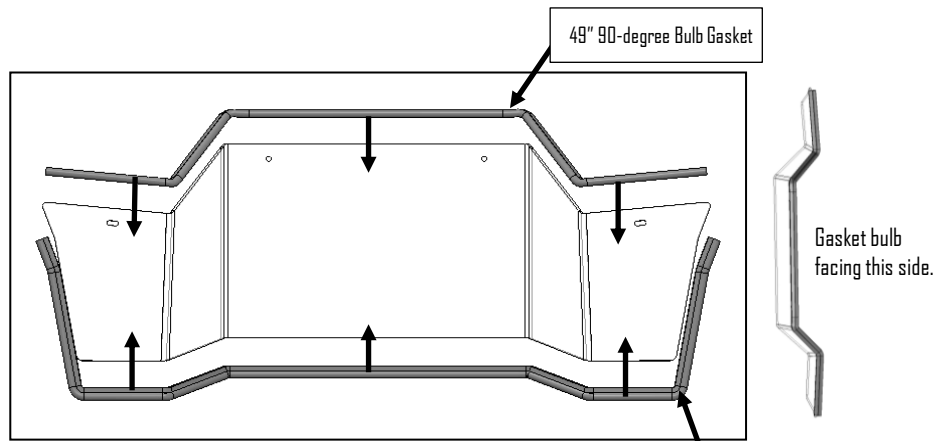
Seizmik makes Windshields, Mirrors, Door Kits, Light Bars, Hood Racks, and other great accessories for UTV's to maximize the vehicles usefulness. To help you do what you do better.

If you have any questions, comments, need assistance, or are missing parts, please call 1-866-838-3366 between 9:00AM and 5:00PM EST. Or email us at service@seizmik.com. Visit www.seizmik.com for more information on our products.

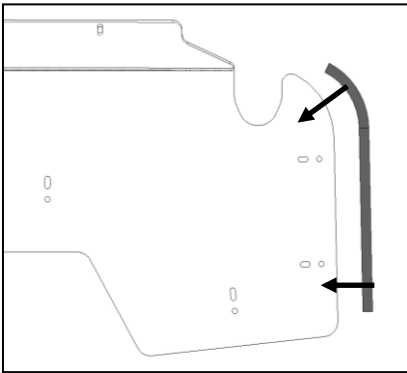
Installation:



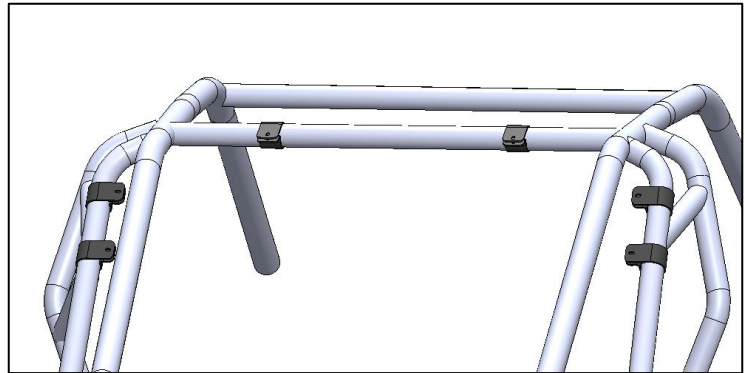
1. Peel plastic 4" back on edges of windshield. Remove completely after windshield is fully installed.



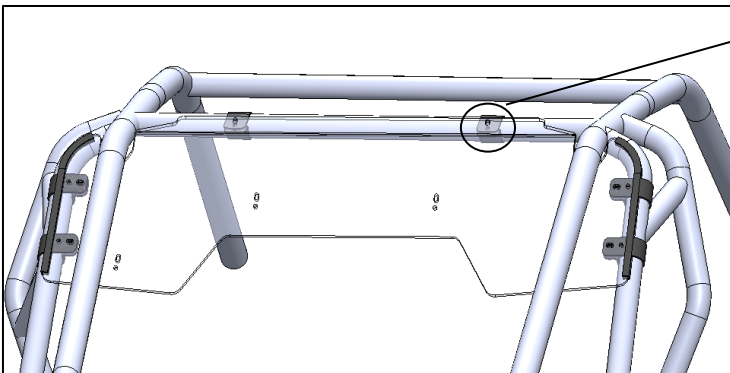
2. Push 49" 90-degree bulb gasket onto lower windshield with the bulb section oriented as shown. Push 63" 180-degree Bulb Gasket onto lower windshield.



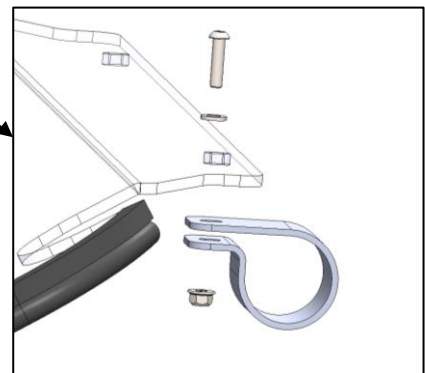
3. Push the 13.25" gaskets on the upper windshield with the bulb section oriented as shown.



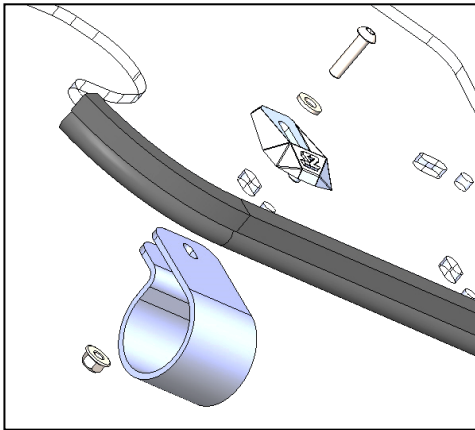
4. Place clamps on roll cage in approximate locations shown. Be careful not to pinch fingers.



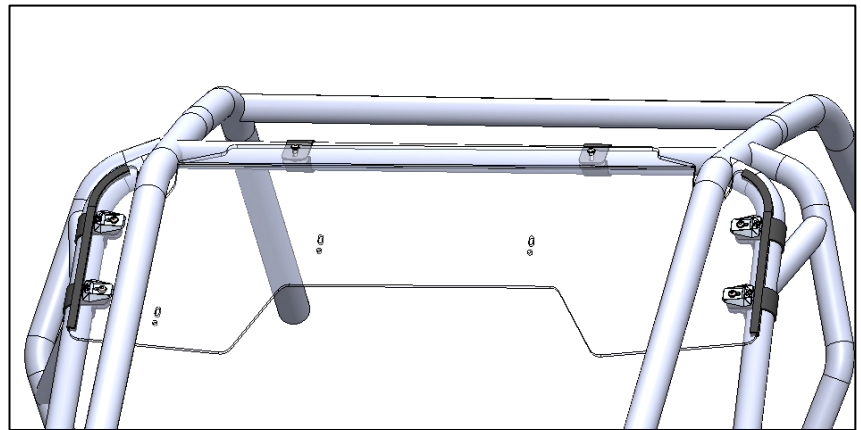
5. Place upper windshield in location shown. Gasket bulb should be against roll cage.



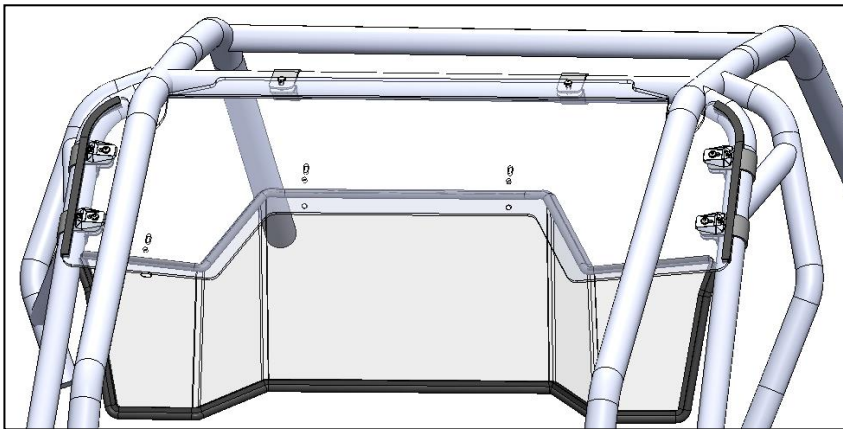
6. Insert bolt through washer and windshield, loosely install nuts on both top clamps.



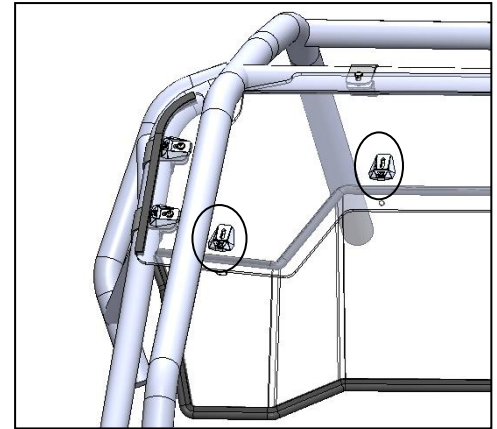
7. Insert bolt through washer, bracket cover, and windshield, loosely install nuts on 4 side clamps.



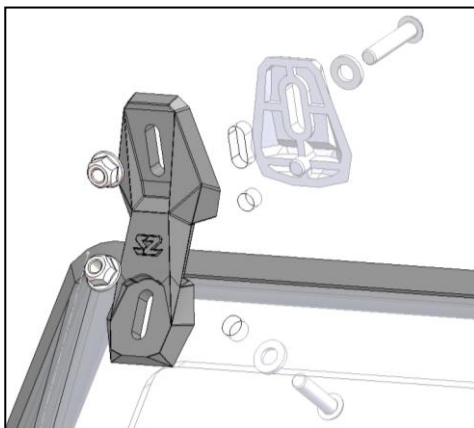
8. Once all clamps are loosely attached it should look like this.



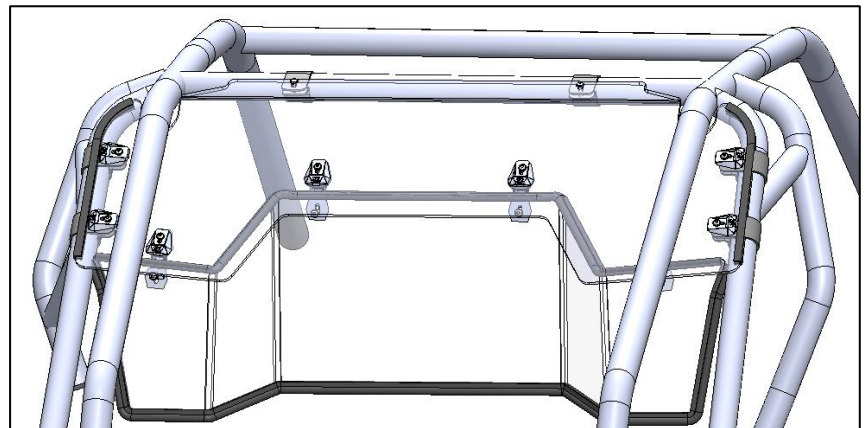
9. Insert lower windshield. It should fit snugly against rear speakers, behind seat belt, and against upper windshield.



10. Place 4 remaining bracket covers on upper windshield as shown.



11. Use brackets to connect upper and lower windshield. Insert bolt through washer, bracket cover, and windshield and loosely install nuts on all 4 brackets. Only top bolt has bracket cover.



12. The bracket slots allow for adjustment in the lower windshield so that you may ensure the windshield gasket seals along bottom edge. Make sure windshield is centered and snug, tighten all bolts.

APPENDIX

Rear windshield Polaris RZR Pro XP (26104/26105)		
Item #	Part#	Description
1	54 SW-90688	Uncoated poly carbonate upper panel (26104)
2	54 SW-90689	Uncoated poly carbonate lower panel (26104)
1	54 SW-90690	Double Sided Hardcoated Polycarbonate upper panel (26105)
2	54 SW-90691	Double Sided Hardcoated Polycarbonate lower panel (26105)
3	54 SW-90692	13.25" 90° bulb gasket
4	54 SW-90693	49" 90° bulb gasket
5	54 SW-90694	63" 180° bulb gasket
6	54 SW-90246	1.75" plastic P clamp
7	54 SW-90695	Bracket
8	54 SW-90696	bracket cover
9	54 SW-90697	M6 washer
10	54 SW-90679	M6 Nyloc Flange nut
11	54 SW-90698	M6 x 30 button head cap screw

