

Kit Contents:

1. Assembled Windshield

For item part numbers refer to the appendix at the back of these instructions.

Installation Information:

This product does not require any modifications to your vehicle. Please familiarize yourself with all the steps before beginning assembly.

Compatibility Info:

This windshield is designed to work with other Seizmik branded Accessories for the Polaris Ranger XP 1000 or Can-Am Defender as well as OEM hard tops. Please note Seizmik cannot guarantee fitment with other branded aftermarket products. Please research installation details on our products and others when trying to combine different branded accessories.

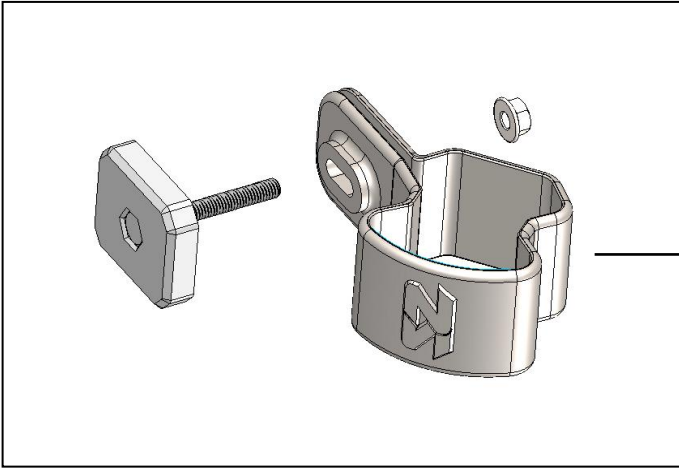
Seizmik makes Windshields, Mirrors, Door Kits, Light Bars, Hood Racks, and other great accessories for UTV's to maximize the vehicles usefulness. To help you do what you do better.

If you have any questions, comments, need assistance, or are missing parts, please call 1-866-838-3366 between 9:00AM and 5:00PM EST. Or email us at service@seizmik.com. Visit www.seizmik.com for more information on our products.

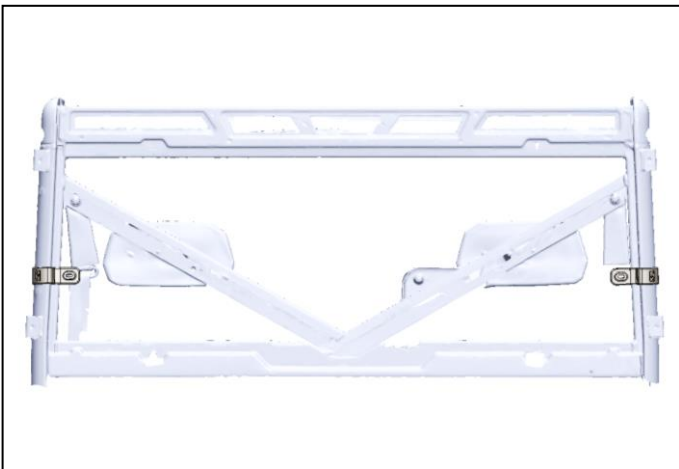
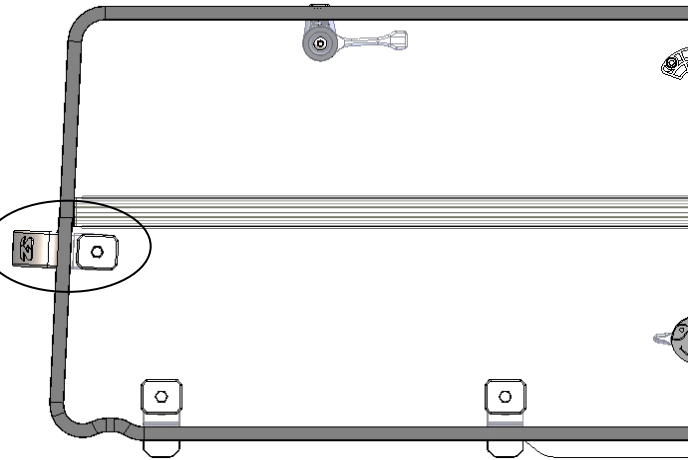
Installation:

SEIZMIK

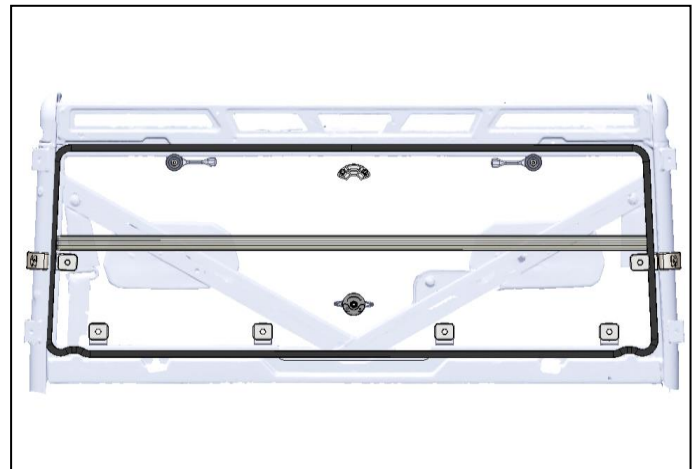
Note: The procedure is shown for Ranger XP 1000. Installation is similar for Can-Am Defender.



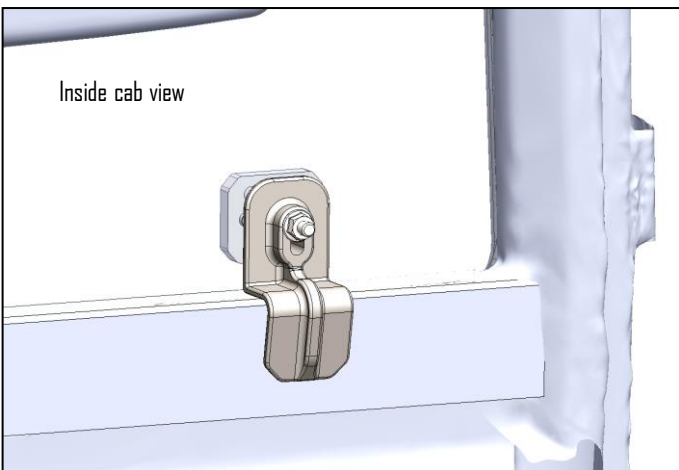
1. Remove clamp from either side of windshield.



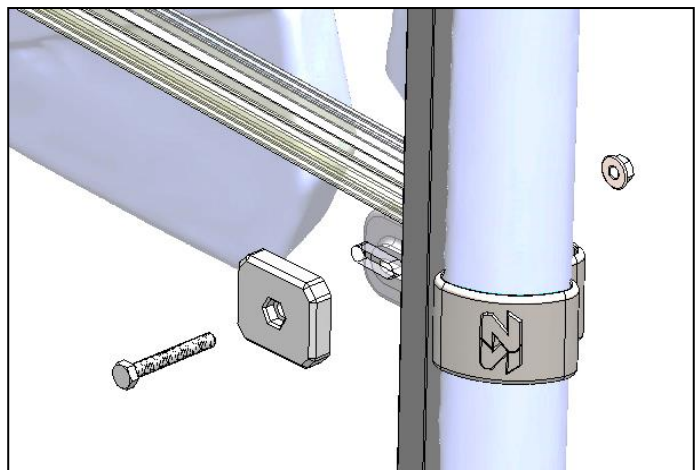
2. Place clamp around cage in approximate location shown so that the Seizmik logo faces vehicle bed. Be careful not to pinch fingers.



3. Assure that all 4 lower clamp bolts are loose. Place windshield against roll cage. Gasket bulb should be facing inward, towards cab.



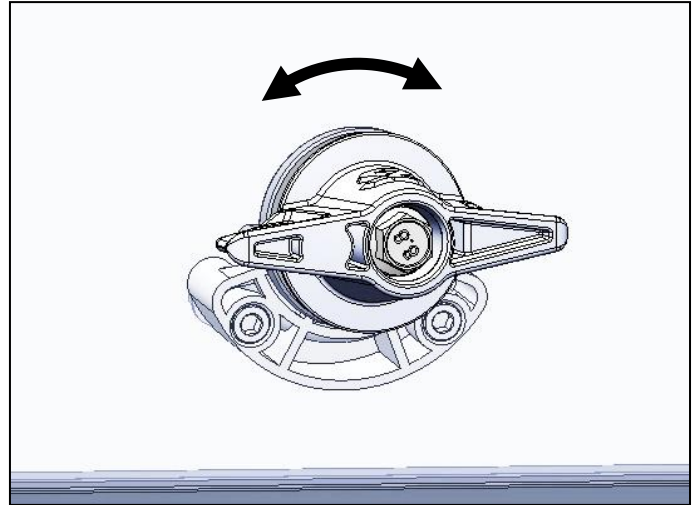
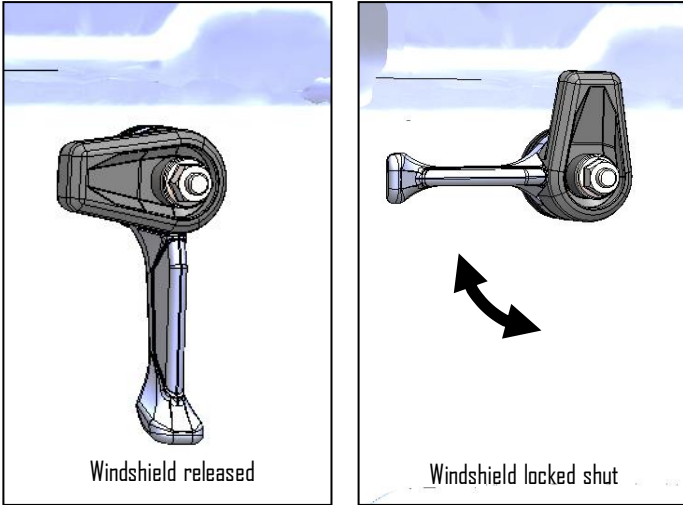
4. Lower clamps should fit snugly against roll cage.



5. Insert bolts through backing plates and windshield and loosely install nuts on side clamps. Center windshield and tighten all nuts.

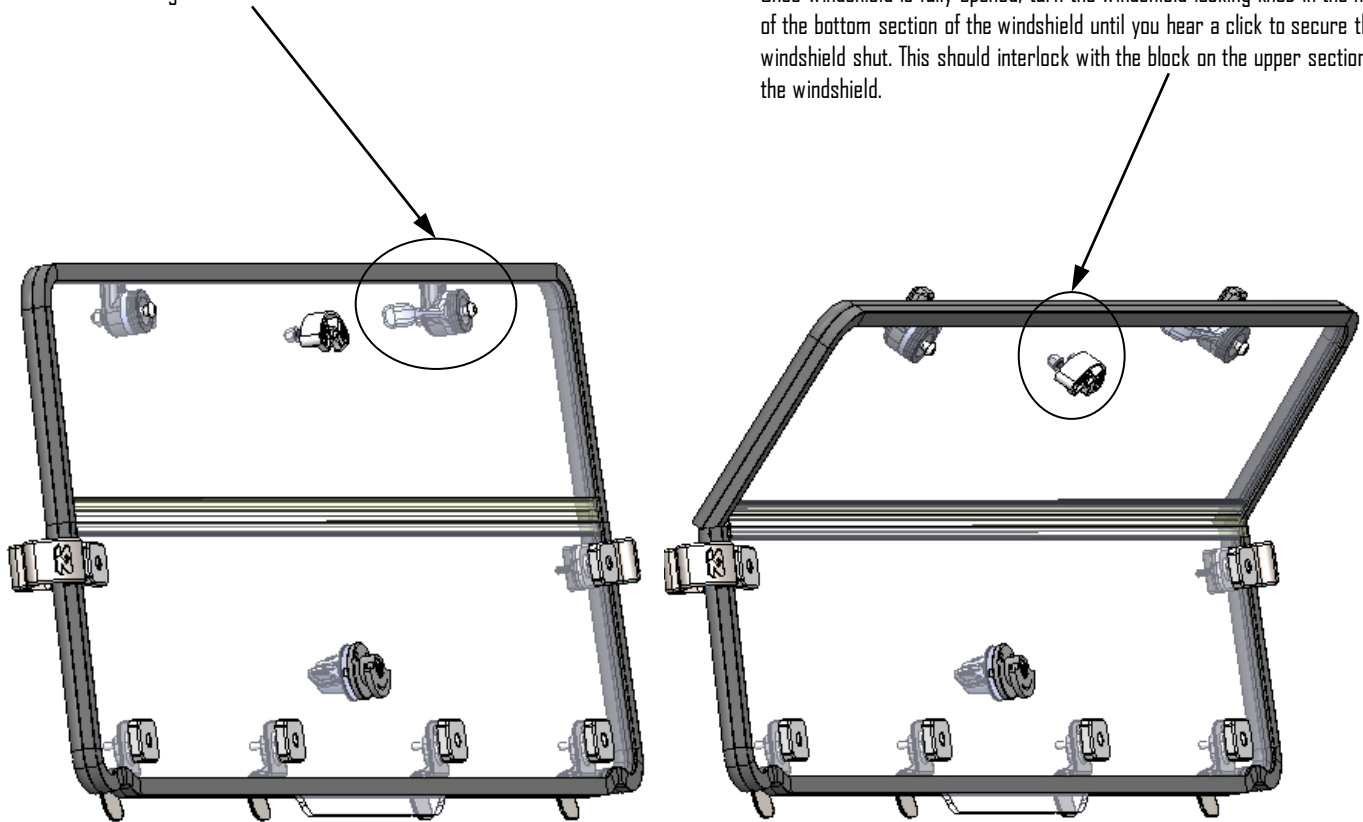
Operation:

Handles and knob can be made stiffer or looser by adjusting the nut in the middle of component.

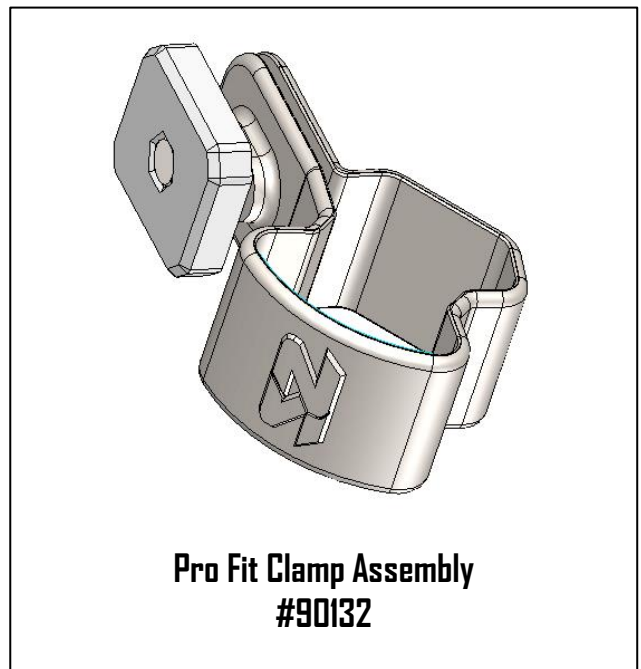
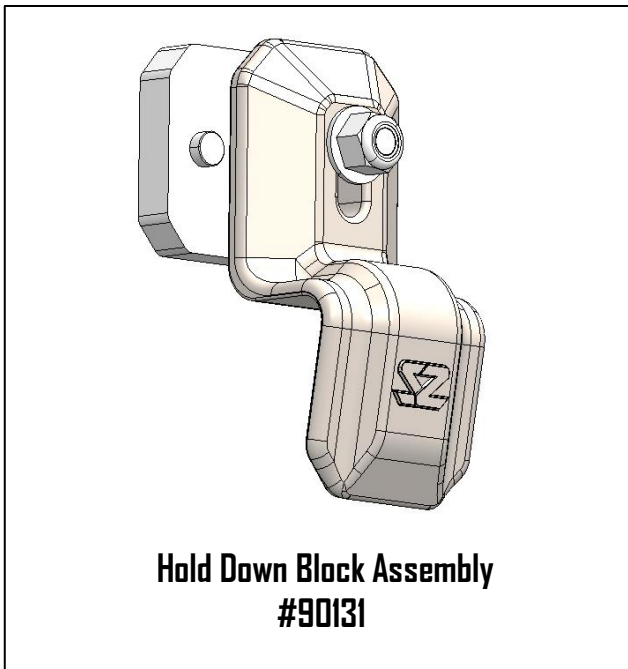
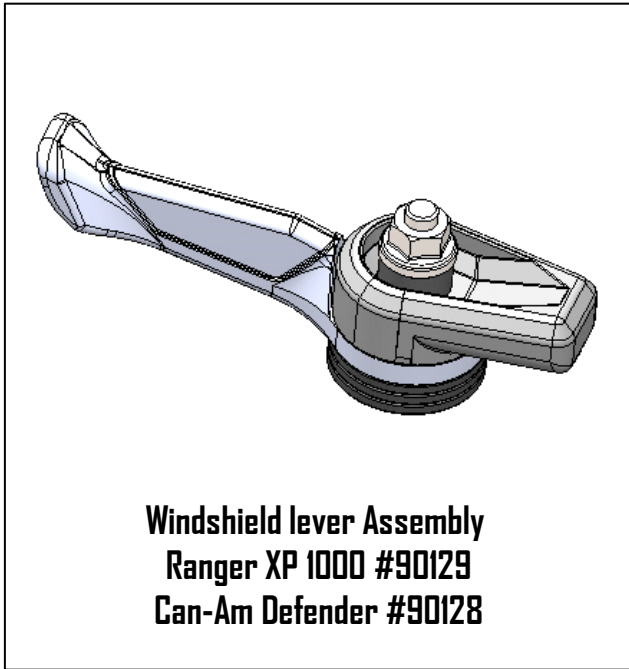


Pull windshield shut using windshield lever. Turn handle to lock and release windshield.

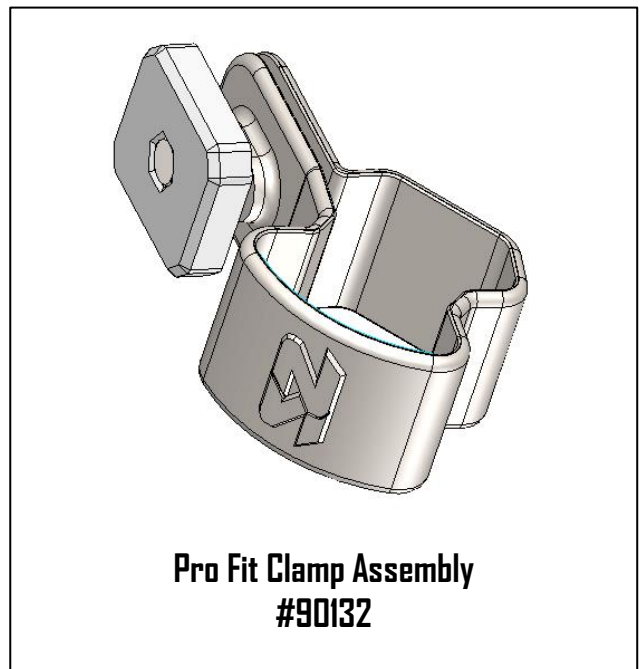
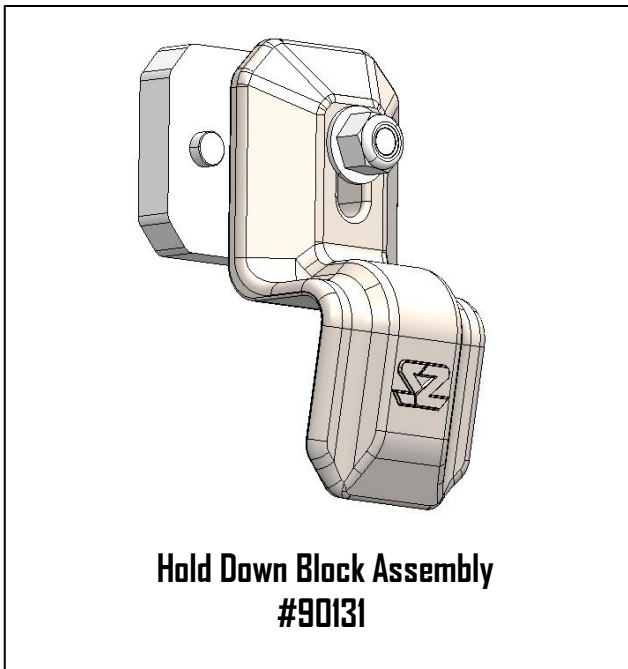
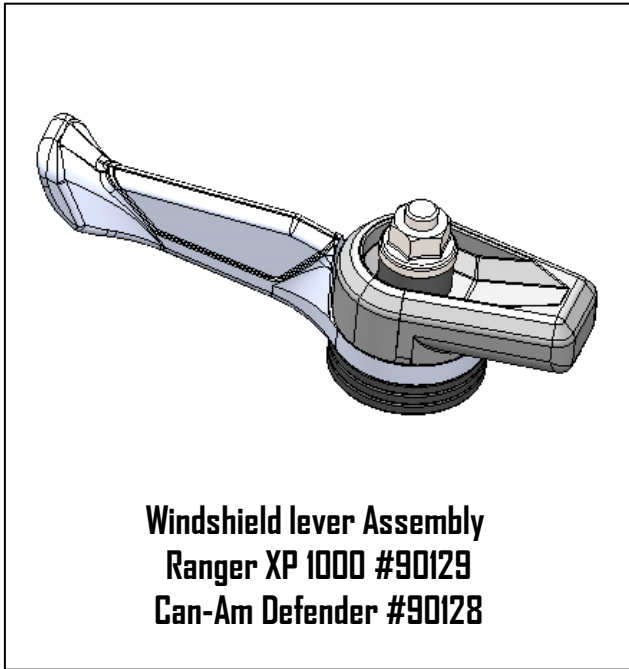
Once windshield is fully opened, turn the windshield locking knob in the middle of the bottom section of the windshield until you hear a click to secure the windshield shut. This should interlock with the block on the upper section of the windshield.



Warranty Parts List:

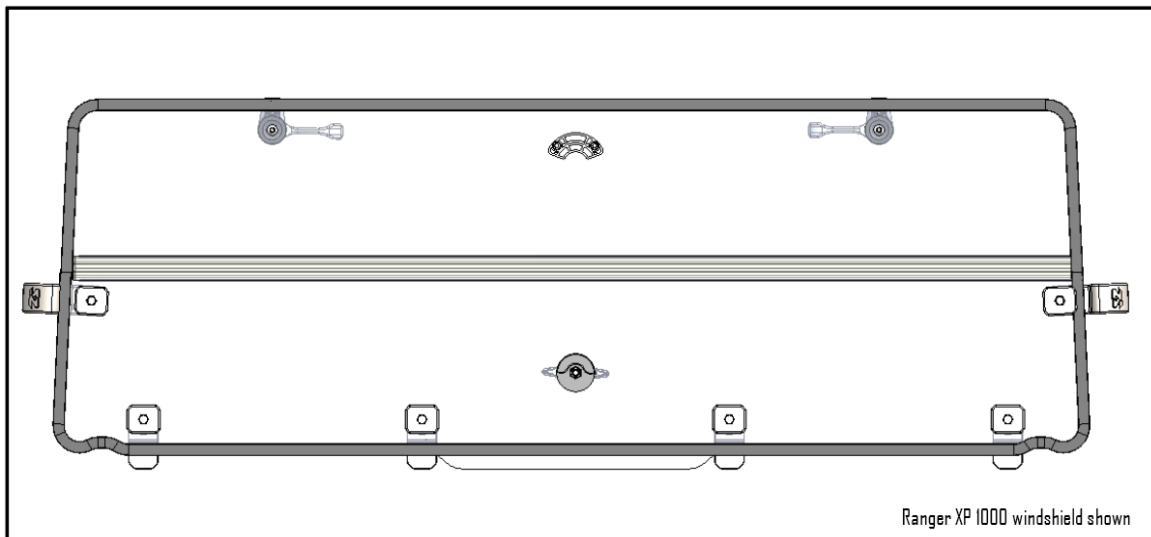


Warranty Parts List:



APPENDIX

Folding rear window Ranger XP 1000 (32001)	
Part#	Description
54 SW-90907	Upper window panel
54 SW-90908	Lower window panel
54 SW-90909	Hinge
54 SW-90216	SZ Profit plastic Clamp
54 SW-90910	Plastic hold down bracket
54 SW-90918	Windshield lever assembly
54 SW-90911	Windshield lock assembly
54 SW-90219	Plastic backing plate
54 SW-90218	40 mm plastic backing plate bolt
54 SW-90912	Gasket
54 SW-90679	M6 Nyloc Flange nut
Folding rear window Can AM Defender (32000)	
54 SW-90913	Upper window panel
54 SW-90914	Lower window panel
54 SW-90915	Hinge
54 SW-90216	SZ Profit plastic Clamp
54 SW-90910	Plastic hold down bracket
54 SW-90911	Windshield lock assembly
54 SW-90219	Plastic backing plate
54 SW-90218	40 mm plastic backing plate bolt
54 SW-90917	Gasket
54 SW-90679	M6 Nyloc Flange nut
54 SW-90918	Windshield lever assembly
54-SW-90950	Hardwar kit withour gaskets for 32000/32001



APPENDIX

Folding rear window Ranger XP 1000 (32001)	
Part#	Description
54 SW-90907	Upper window panel
54 SW-90908	Lower window panel
54 SW-90909	Hinge
54 SW-90216	SZ Profit plastic Clamp
54 SW-90910	Plastic hold down bracket
54 SW-90918	Windshield lever assembly
54 SW-90911	Windshield lock assembly
54 SW-90219	Plastic backing plate
54 SW-90218	40 mm plastic backing plate bolt
54 SW-90912	Gasket
54 SW-90679	M6 Nyloc Flange nut
Folding rear window Can AM Defender (32000)	
54 SW-90913	Upper window panel
54 SW-90914	Lower window panel
54 SW-90915	Hinge
54 SW-90216	SZ Profit plastic Clamp
54 SW-90910	Plastic hold down bracket
54 SW-90911	Windshield lock assembly
54 SW-90219	Plastic backing plate
54 SW-90218	40 mm plastic backing plate bolt
54 SW-90917	Gasket
54 SW-90679	M6 Nyloc Flange nut
54 SW-90918	Windshield lever assembly
54-SW-90950	Hardwar kit withour gaskets for 32000/32001

